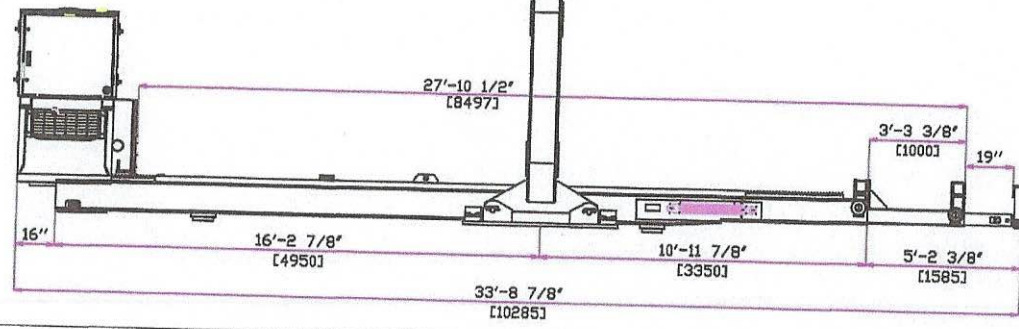
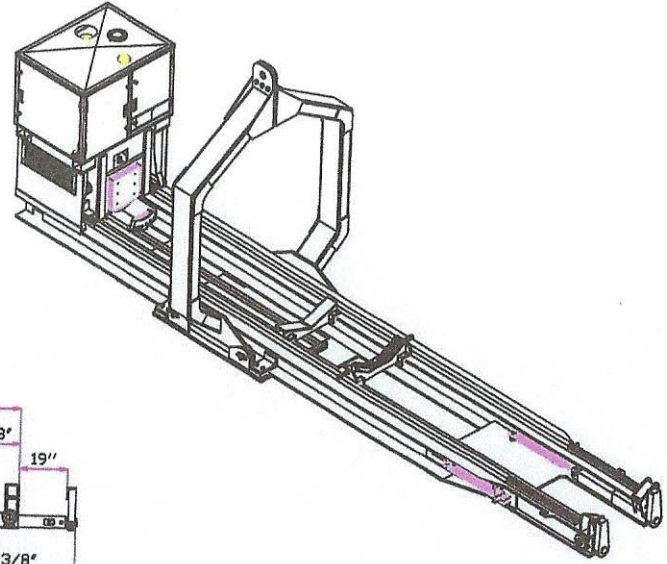
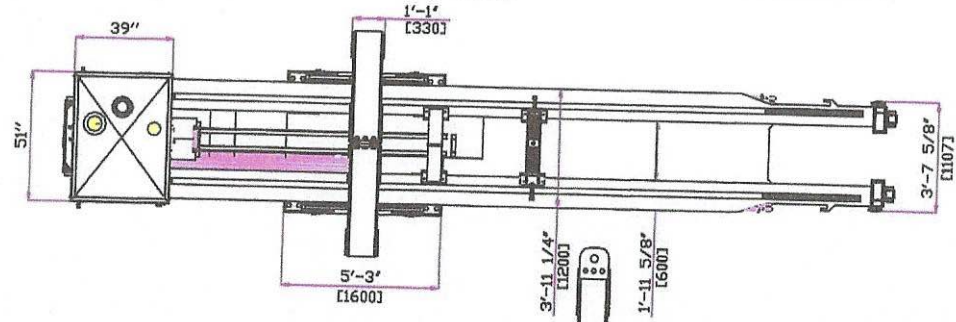
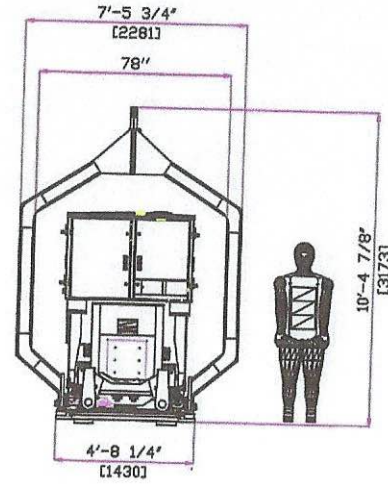
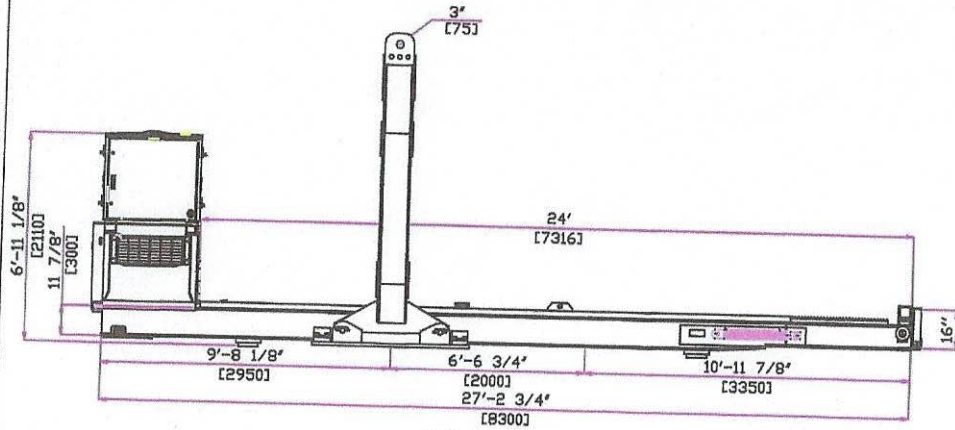


ESTRATTORE 35Tx8.3M W-80T Heb-300 Arc-78" Tub



TECHNICAL DATA

IdroKid AERIAL EXTRACTOR - 35T

Length of Extractor: 27'- 2 3/4"
Width of Extractor: 4'- 3 1/4"
Height of Extractor: 6'- 10 1/4"
Weight of Extractor: 14,780 lbs.

Maximum Bundle Length: 24 feet
Maximum Bundle Diameter: 78 inches
Maximum Winch Pulling Force: 80 Tons.
Maximum Bundle Weight: 70,000 lbs.
Winch Pulling Speed: 8 feet per min.
Pump Variable Delivery Work Pressure: 350/5000 PSI.

Engine: Silent Pack HATZ mod. 2L41C
Number of Cylinders: 2
Cubic Capacity: 1716 cc
R.P.M.: 33 HP
Cooling System: Air
Remote Control For All Functions