

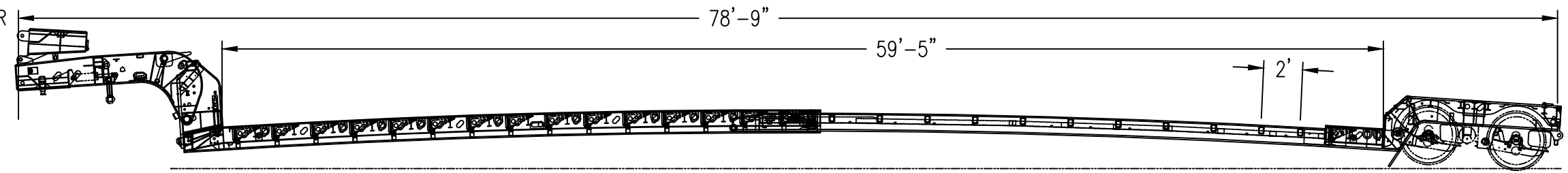
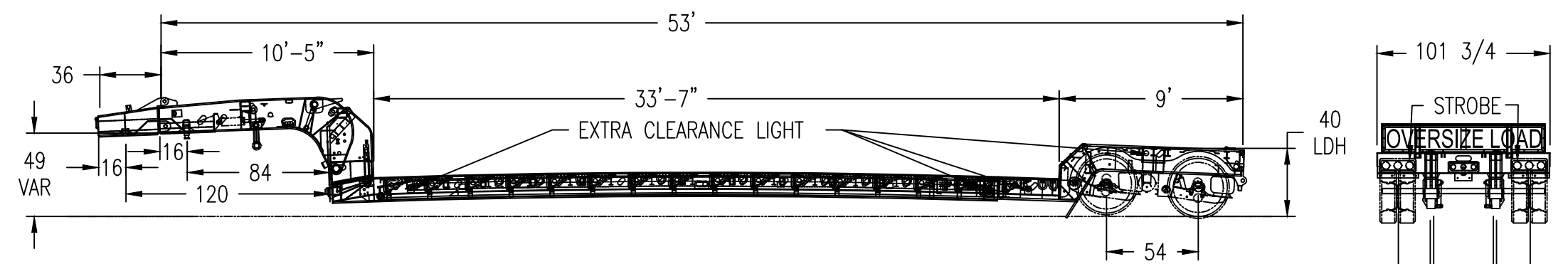
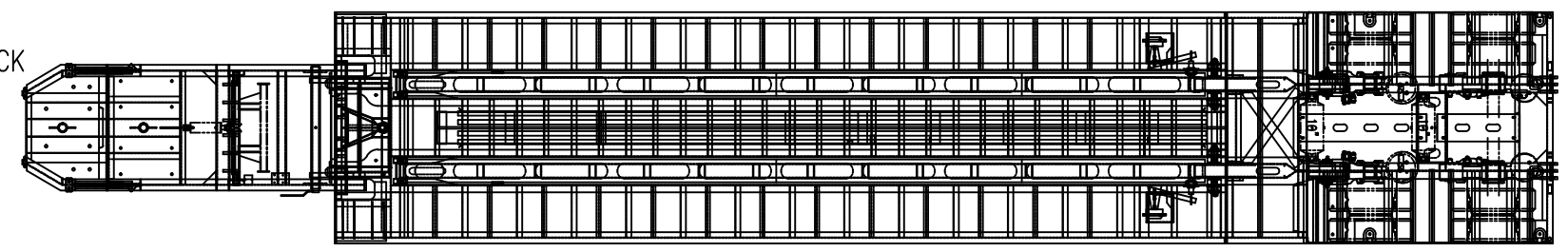
UPPER DECK:
 WET KIT
 REMOVABLE KING PIN
 FRAME REINF, AIR, BRACKETS AND ELECTRIC FOR 36" FLIP NECK
 36" FLIP NECK
 RUN HYDRAULICS THRU FLIP NECK
 TOOL BOX IN BASE W/ LID

MAIN DECK:
 19" LOADED DECK HEIGHT
 5" GROUND CLEARANCE
 1-3/8" RAISED APITONG DECKING, COVERED CENTER
 6" JR I-BEAM ON 12" ALT CNTRS
 FABRICATED OUTER BEAMS
 REMOVABLE SWINGOUT OUTRIGGERS ON 24" CENTERS
 10 BENT D-RINGS PER SIDE ON THE FEMALE DECK
 2 BENT D-RINGS PER SIDE ON THE MALE DECK

WHEEL AREA:
 40" LOADED DECK HEIGHT
 SPRING BRAKES ON 1 AXLE
 255/70R/22.5 TIRES
 ALUMINUM POLISHED WHEELS OUTSIDE
 STEEL WHEELS INSIDE
 1-1/8" FLUSH APITONG DECKING, COVERED WHEELS
 COVERED BOOM TROUGH W/ REMOVABLE PL
 2 FLAT D-RINGS ON TOP OF FLANGE AT REAR
 2 PAIR OF PAN STYLE D-RINGS

ADDITIONAL:
 PAINT: BLACK
 3 TAIL LIGHT ALUMINUM PACKAGE
 RAISE AND LOWER VALVE
 FRAME REINFORCEMENT, AIR AND ELECTRIC FOR A TWO AXLE BOOSTER
 4" AMBER STROBE W/ SWITCH TO BE USED AS 3RD TAIL LIGHT
 MANUAL RIDE HEIGHT
 LIQUID FILLED AIR GAUGE
 ONE PAIR OF FLAG HOLDERS IN REAR
 4 EXTRA CLEARANCE LIGHTS PER SIDE
 2 STAKE POCKETS IN WHEEL AREA FOR OVERSIZE LOAD SIGN
 OVERSIZE LOAD SIGN
 TOOL BOX IN MINI DECK
 EXTENSION STOPS ON 24" CENTERS
 LIMIT CHAINS
 EST. WEIGHT 30,100 LBS. ±3%

DRAWING APPROVAL
 This drawing is forwarded for your approval. Please check all dimensions before signing.
 FIRM: _____
 BY: _____
 DATE: _____



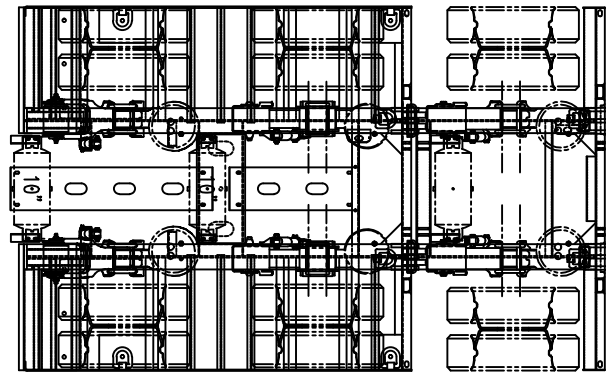
NOTE: ALL DIMENSIONS SHOWN ARE IN THE UNLOADED CONDITION. DIMENSIONS WILL CHANGE SLIGHTLY DURING MANUFACTURING.

LOAD RATING ON TRAILER
 110,000 LBS DISTRIBUTED
 90,000 LBS IN 10' CONCENTRATED
 WHEN THE TRAILER IS IN THE CLOSED POSITION

 1086 South 3rd St. Manchester, IA 52057		110 HDE (90,000# IN 10')	
		CAPITAL CITY	
INITIALS MS	DWG. NO. 15075 SD	JOB NUM. 15075	
SIZE D	SCALE NTS	DATE 12/23/14	SHEET 1 OF 1
SUSPENSION HENDRICKSON		TIRES 255/70R/22.5	

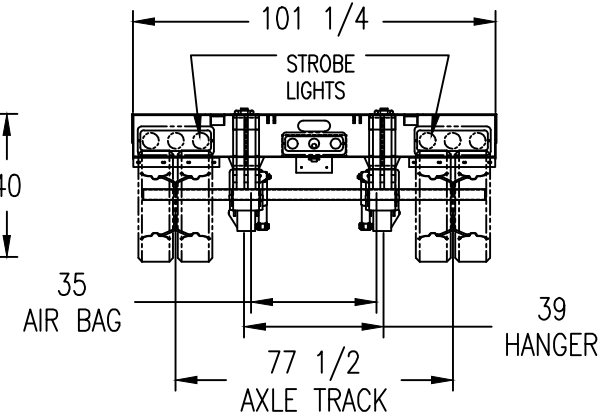
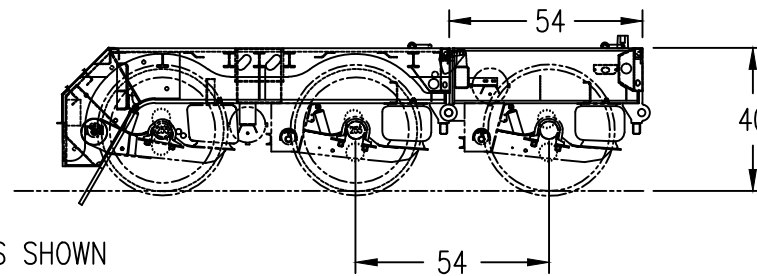
Tolerances:
 Third Angle Projection (TYP)
 Ang. Tol.: ±1°
 Dim. Tol.: ±1/16

THIS DRAWING IS THE PROPERTY OF XL SPECIALIZED TRAILERS WHICH CLAIMS PROPRIETARY RIGHTS IN THE MATERIAL DISCLOSED. IT IS ISSUED IN CONFIDENCE FOR ENGINEERING INFORMATION ONLY AND MAY NOT BE COPIED OR USED FOR MANUFACTURING OF ANYTHING SHOWN WITHOUT SPECIFIC WRITTEN PERMISSION OF XL SPECIALIZED TRAILERS



- FLIP AXLE OPTIONS:
 FLAG HOLDER HOLES
 PAINT: BLACK
 LIMIT CHAINS
 3 TAIL LIGHT ALUMINUM PACKAGE
 4" AMBER STROBE W/ SWITCH AS 3STT
 LED LIGHTS
 40" LOADED DECK HEIGHT
 2 BENT D-RINGS ON TAIL CHANNEL
 BOOSTER BRACKETS ON BOTH ENDS
 255/70/R/22.5 TIRES
 ALUMINUM POLISHED WHEELS OUT
 STEEL WHEELS IN
 2 FLAT D-RINGS ON TOP OF FLANGE AT REAR
 2 STAKE POCKETS FOR OVERSIZE LOAD SIGN
 LIQUID FILLED AIR GAUGE

TO GO TO TRAILER #15075



NOTE: ALL DIMENSIONS SHOWN ARE IN THE UNLOADED CONDITION. DIMENSIONS WILL CHANGE SLIGHTLY DURING MANUFACTURING.

DRAWING APPROVAL

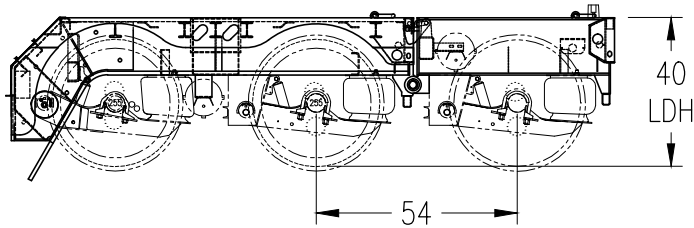
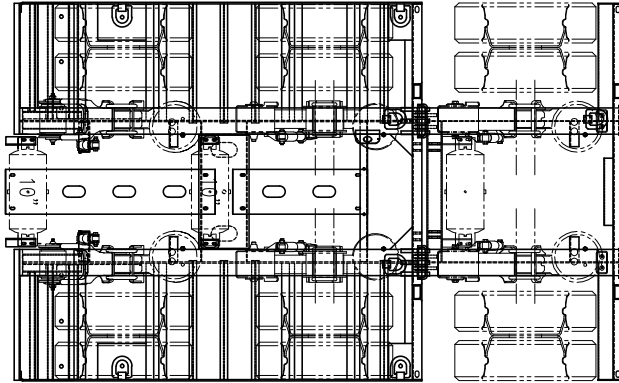
This drawing is forwarded for your approval. Please check all dimensions before signing.

FIRM: _____
 BY: _____
 DATE: _____

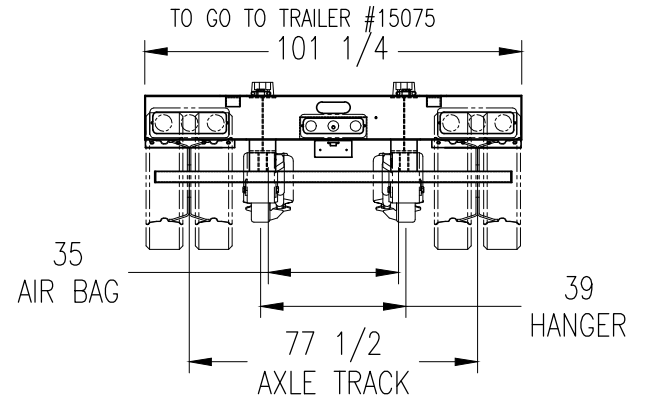
SPECIALIZED TRAILERS
 1086 South 3rd St. Manchester, IA 52057

Tolerances:
 THIS DRAWING IS THE PROPERTY OF XL SPECIALIZED TRAILERS WHICH CLAIMS PROPRIETARY RIGHTS IN THE MATERIAL INCLUDED. IT IS ISSUED IN CONFIDENCE FOR ENGINEERING INFORMATION ONLY AND MAY NOT BE COPIED OR USED FOR MANUFACTURING OF ANYTHING SIMILAR WITHOUT SPECIFIC WRITTEN PERMISSION OF XL SPECIALIZED TRAILERS
 Ang. Tol: ±1°
 Dim. Tol: ±1/16"

24 FA		CAPITAL CITY	
INITIALS	MS	DWG. NO.	15076 SD
SIZE	D	SCALE	1" = 1' - 0"
DATE	01/09/15	SHEET	1 OF 1
SUSPENSION	HENDRICKSON	TIRES	255/70R/22.5
JOB NUM.	15076	REV	-



- FLIP AXLE OPTIONS:
 FLAG HOLDER HOLES
 PAINT: BLACK
 LIMIT CHAINS
 3 TAIL LIGHT ALUMINUM PACKAGE
 4" AMBER STROBE W/ SWITCH AS 3ST
 LED LIGHTS
 40" LOADED DECK HEIGHT
 2 BENT D-RINGS ON TAIL CHANNEL
 BOOSTER BRACKETS
 255/70/R/22.5 TIRES
 ALUMINUM POLISHED WHEELS OUT
 STEEL WHEELS IN
 2 FLAT D-RINGS ON TOP OF FLANGE AT REAR
 2 STAKE POCKETS FOR OVERSIZE LOAD SIGN
 LIQUID FILLED AIR GAUGE



NOTE: ALL DIMENSIONS SHOWN ARE IN THE UNLOADED CONDITION. DIMENSIONS WILL CHANGE SLIGHTLY DURING MANUFACTURING.

DRAWING APPROVAL

This drawing is forwarded for your approval. Please check all dimensions before signing.

FIRM: _____
 BY: _____
 DATE: _____

 1086 South 3rd St. Manchester, IA 52057 Tolerances: 30deg Angle Projection (First) Ang. Tol.: ±1' Dim. Tol.: ±1/16"	THIS DRAWING IS THE PROPERTY OF XL SPECIALIZED TRAILERS WHICH CLAIMS PROPRIETARY RIGHTS IN THE MATERIAL DISCLOSED. IT IS ISSUED IN CONFIDENCE FOR ENGINEERING INFORMATION ONLY AND MAY NOT BE COPIED OR USED FOR MANUFACTURING OF ANYTHING SHOWN WITHOUT SPECIFIC WRITTEN PERMISSION OF XL SPECIALIZED TRAILERS.		XL 24 FA CAPITAL CITY	
	INITIALS MS SIZE D SCALE NTS	DWG. NO. 15077 SD DATE 01/12/15	JOB NUM. 15077 SHEET 1 OF 1	REV - SUSPENSION HENDRICKSON TIRES 255/70R/22.5