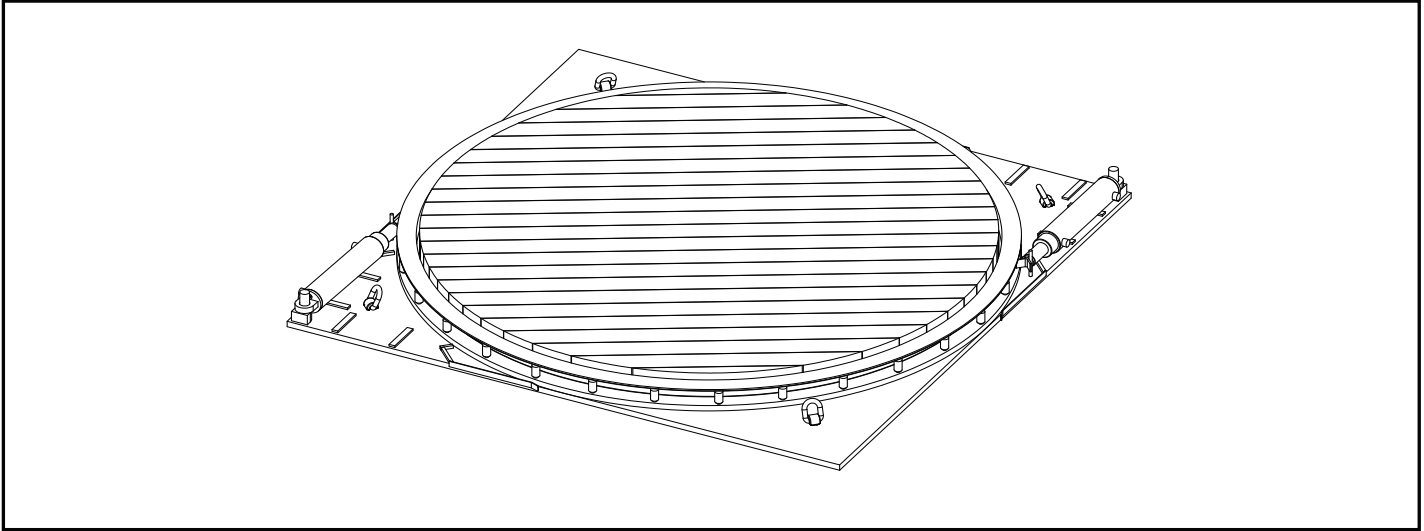


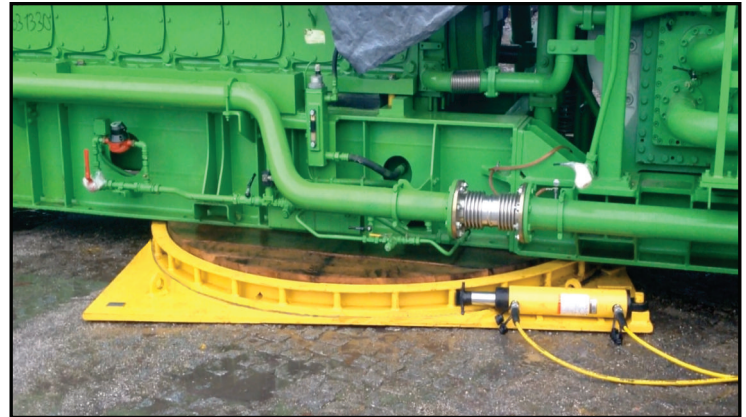
HYDRAULIC TURNTABLES

Hydra-Slide TT Systems



Turntable System Features

- Makes rotating heavy loads accurate and efficient
- Includes hydraulic rotating cylinders and bi-directional rotating mechanism
- Cylinders automatically reset into pins during rotation
- Hardwood insert on loading surface
- Low profile - perfect for areas with limited space/access
- Can be operated with most 10,000 psi double-acting pumps.
- Engineered stamped general arrangement drawing provided



MODEL	SYSTEM CAPACITY	HEIGHT	WIDTH	LENGTH	SYSTEM WEIGHT	MAXIMUM PRESSURE	ROTATING SPEED
TT150-6	150 Ton	4"	6'	6'	1875 lbs	10,000 psi	90°/3 min.
TT225-7.5	225 Ton	6"	7.5'	7.5'	5200 lbs	10,000 psi	90°/7 min.
TT450-7.5	450 Ton	6"	7.5'	7.5'	5200 lbs	10,000 psi	90°/7 min.
TT250-8	250 Ton	6"	8'	8'	6000 lbs	10,000 psi	90°/7 min.
TT500-8	500 Ton	6"	8'	8'	6000 lbs	10,000 psi	90°/7 min.
TT250-10	250 Ton	6"	10'	10'	9000 lbs	10,000 psi	90°/9 min.
TT500-10	500 Ton	6"	10'	10'	9000 lbs	10,000 psi	90°/9 min.

Rotating speed determined using 20-2-4D HPU

Always follow Operating Manual Instructions and safe jacking practices.

