

MODEL TK120LPSD
 CAPACITY 120,000 LBS
 WIDTH 10'0
 SUSPENSION.. AIR RIDE WITH RAISING AND LOWERING
 TIRE SIZE 235/75R X 17.5
 WHEELS STEEL DISC, PILOT MOUNT
 OPTIONS 8" HYDRAULIC LIFT
 BOLSTER STEER OR MANUAL HYDRAULIC
 24HP HONDA SELF-CONTAINED HYDRAULICS
 PUSH BAR BRACKETS
 TOW BAR BRACKETS

ESTIMATED WEIGHT - 27,840 LBS

PROPOSED TK120LPSD TRAILER

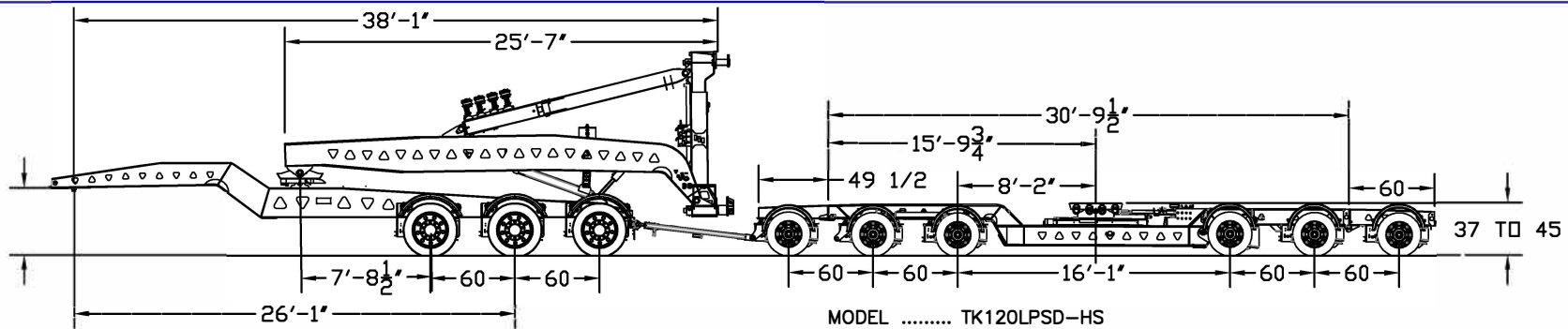
TRAIL KING IND. INC.

BOX 1064 - MITCHELL, SD 57301

DRAWN BY
RCT

DATE
01/09
2004

IDENT. NO.
041100



MODEL TK120LPSD-HS
 CAPACITY 120,000 LBS
 WIDTH 10'-0"
 SUSPENSION.. AIR RIDE WITH RAISE AND LOWER
 TIRE SIZE 235/75R X 17.5
 WHEELS ALUMINUM DISC (MACHINED FINISH)
 FEATURES..... FRONT STEER DESIGN
 60 DEG. (EACH WAY) HATBOX ROTATION
 AUTO STEER OR MANUAL STEER
 34 DEG 1ST AXLE IN AUTO, 39.5 DEG 1ST AXLE IN MANUAL
 ADJUSTABLE STEERING RATIO
 MANUAL STEER BY WIRELESS OR WIRE TYPE REMOTE
 AUTO-ALIGNMENT AFTER MANUAL STEER
 12.25 X 7.5 BRAKES
 INDIVIDUAL POLY FENDERS
 13 HP HONDA SCU
 8" LIFT HYDRAULIC HATBOX
 AUX AIR OUTLET FOR POWER TOOLS
 POWER BEYOND FOR HYDRAULICS
 WIDE LOAD SIGN BRACKETS AT REAR
 OPTIONS DELETE FRONT AND REAR AXLES, DELETE GOOSENECK SUPPORT PLATE,
 ADD BRACKETS, AIR AND ELECTRICAL FOR PIN-ON AXLES
 16'-1" SPACING BETWEEN AXLES 3 & 4 IN LIEU OF STANDARD
 FRONT TOW BAR, 78" WITH AIR AND ELECTRICAL JUMPERS
 GAWR.....20,000 LBS.
 ESTIMATED TRAILER WEIGHT - 20,864 LBS

MODEL TKPA1 FRONT AXLE
 TIRE SIZE 235/75R X 17.5
 WHEELS ALUMINUM DISC (MACHINED FINISH)
 GAWR.....20,000 LBS.
 ESTIMATED WEIGHT - 2,868 LBS

MODEL TKPA1 REAR AXLE
 TIRE SIZE 235/75R X 17.5
 WHEELS ALUMINUM DISC (MACHINED FINISH)
 GAWR.....20,000 LBS.
 ESTIMATED WEIGHT - 2,313 LBS

MODEL 10' WIDE X 37.5" LOAD BUNK
 4 ADJUSTABLE STOPS
 4 D-RINGS PER END
 6 D-RINGS PER SIDE
 ESTIMATED WEIGHT - 1,527 LBS

TK170MDG SCHNABLE SYSTEM		
TRAIL KING IND. INC.		
BOX 1084 - MITCHELL, SD 57301		
DRAWN BY RCT	DATE 12/31 2015	IDENT. NO. 68939