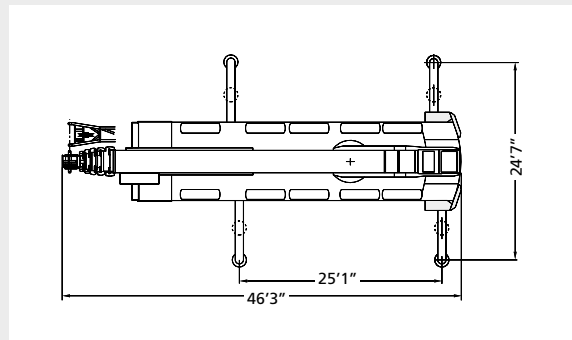
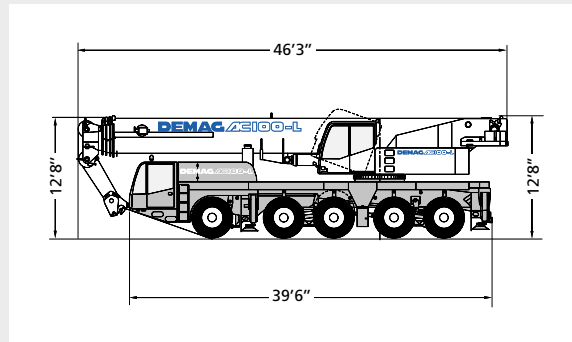
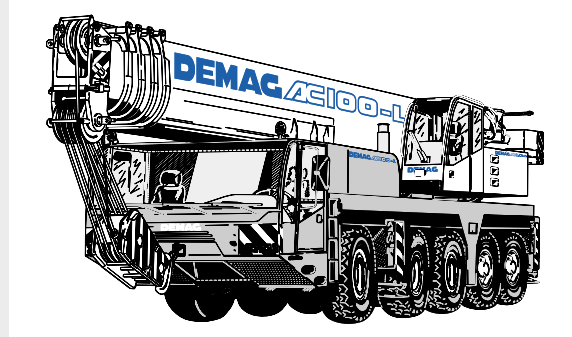


Demag AC 100-L



Demag AC 100-L

- ▶ Longer carrier to meet the strictest of road regulations, in the USA and France
- ▶ Most powerful 120 US-ton crane in the world market
- ▶ Excellent lifting capacities with long out reach thanks to larger outrigger base 25'1" x 24'7"
- ▶ Off-road ability with 70,530 lb of counterweight
- ▶ Under 22,100 lb axle loads are possible



WWW. demag24.com

Contents

Page:

Specifications

Dimensions	4
Specifications	6

1

Main boom

Working ranges	7
Lifting capacities	8

2

Main boom extension

Working ranges	11
Lifting capacities	12
Lifting capacities	16
Working ranges	18

3

Technical description

Carrier · Superstructure · Optional equipment	20
-----------------------------------------------------	----

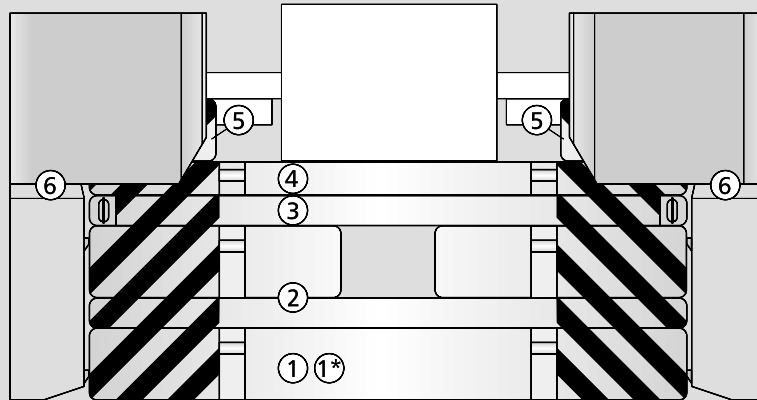
4

Overview

Standard duty charts	21
----------------------------	----

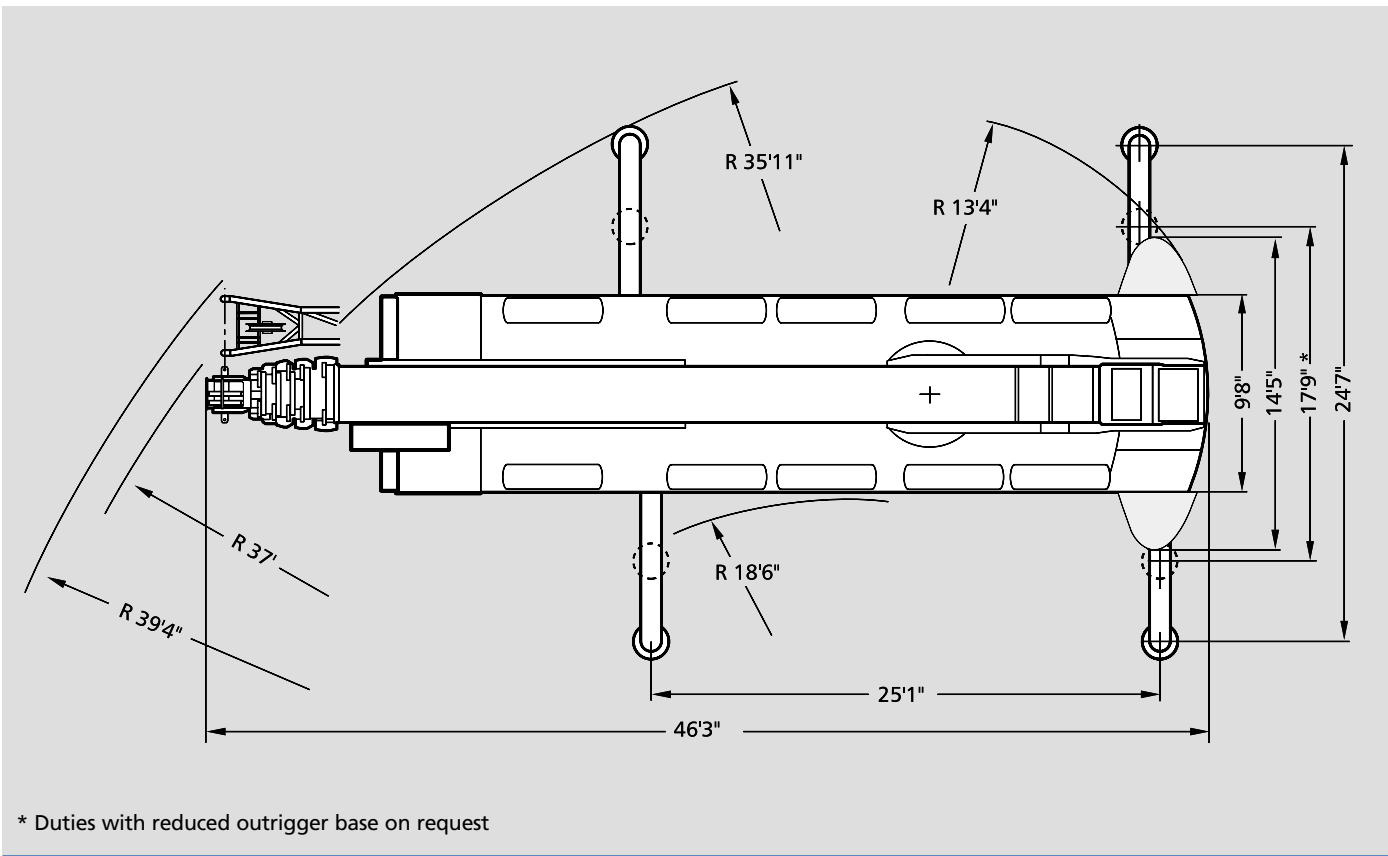
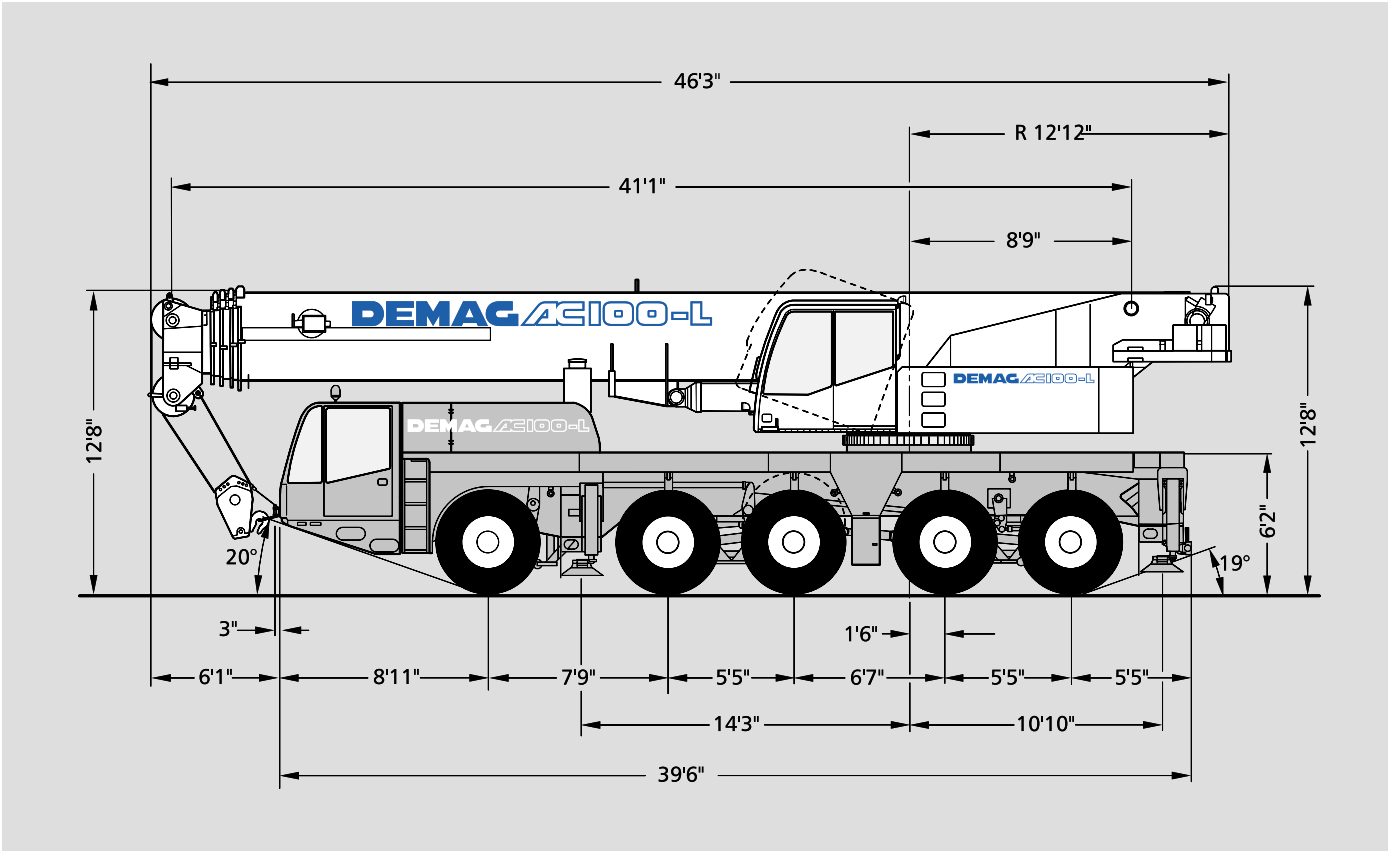
5

Dimensions



	① (14,100 lb)	①* (17,600 lb)	② (19,000 lb)	③ (6,800 lb)	④ (7,300 lb)	⑤ (2x2,200 lb)	⑥ (2x7,700 lb)
4,400 lb						x	
25,790 lb	x				x	x	
29,320 lb		x			x	x	
55,100 lb		x	x	x	x	x	
70,530 lb		x	x	x	x	x	x

①* = Tray ① 14,100 lb with 3,500 lb insert



* Duties with reduced outrigger base on request

Specifications

Axle loads

Basic machine with 55.8 ft main boom extension, hook block, 4,400 lb counterweight, tires 20.5 R 25

Axles 5 x 22,100 lb
Total 110,500 lb

Basic machine with 55.8 ft main boom extension, hook block, 25,790 lb counterweight, tires 14.00 R 25

Axles 5 x 26,450 lb
Total 132,250 lb

Working speeds (infinitely variable)

Mechanisms	Normal speed	High speed	Max. permissible line pull ¹⁾	Rope length
Hoist I	197 ft / min	361 ft / min	16,600 lb	787 ft
Hoist II	197 ft / min	361 ft / min	16,600 lb	787 ft
Slewing				max. 1.7 rpm
Telescoping speed				41.0 – 164.7 ft: 300 s
Boom elevation				-1.5° – +82°: 55 s

Carrier performance

Travel speed 50 mph
Gradeability in travel order max. 43 %

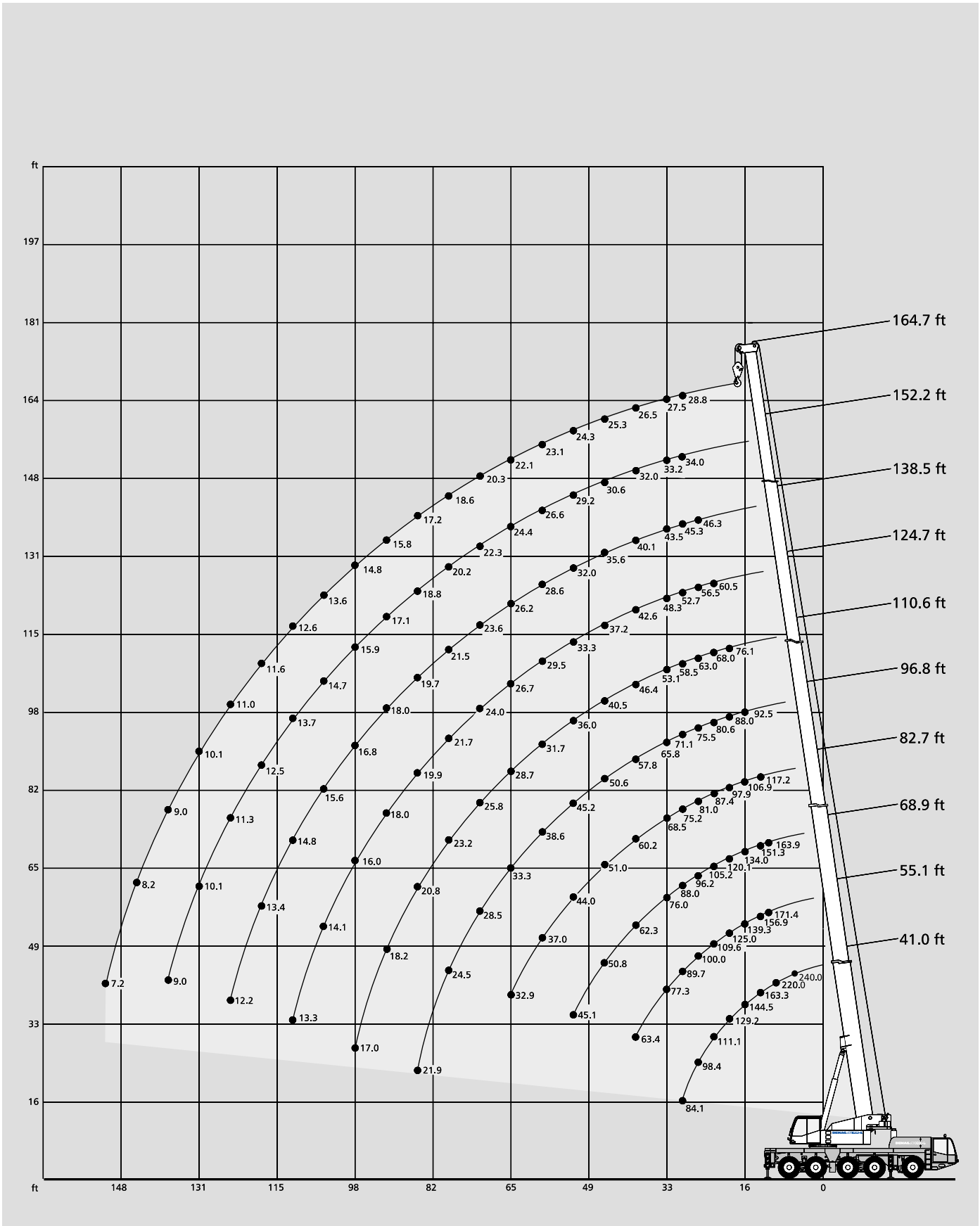
Hook block / Single line hook

Type	Possible load ¹⁾	Number of sheaves	Weight	„D“	Max. reeving	Heavy-lift attachment
125	220,500 lb	7	2425 lb	6.6 ft	14	1 add. sheave
80	174,600 lb	5	2050 lb	6.2 ft	11	
63	110,000 lb	3	1543 lb	6.2 ft	7	
32	47,600 lb	1	1213 lb	5.9 ft	3	
8	15,900 lb	Single line hook	551 lb	5.6 ft	1	

Remarks

¹⁾ varies depending on national regulations

Working ranges main boom



Lifting capacities main boom

70,530 lb                    **85%**

		Length of main boom											
Radius	ft	41.0	55.1	68.9	82.7	96.8	110.6	124.7	138.5	152.2	164.7	Radius	ft
	ft	1,000 lb											ft
8	240.0 ¹⁺²⁾	-	-	-	-	-	-	-	-	-	-	8	8
10	220.0 ¹⁾	-	-	-	-	-	-	-	-	-	-	10	10
10	187.1	-	-	-	-	-	-	-	-	-	-	10	10
11	178.6	171.4	163.9	-	-	-	-	-	-	-	-	11	11
13	163.3	156.9	151.3	117.2	-	-	-	-	-	-	-	13	13
15	150.3	144.6	139.3	110.3	-	-	-	-	-	-	-	15	15
16	144.5	139.3	134.0	106.9	92.5	-	-	-	-	-	-	16	16
19	129.2	125.0	120.1	97.9	88.0	76.1	-	-	-	-	-	19	19
23	111.1	109.6	105.2	87.4	80.6	68.0	60.5	-	-	-	-	23	23
26	98.4	100.0	96.2	81.0	75.5	63.0	56.5	46.3	-	-	-	26	26
29	84.1	89.7	88.0	75.2	71.1	58.5	52.7	45.3	34.0	28.8	-	29	29
33	-	77.3	76.0	68.5	65.8	53.1	48.3	43.5	33.2	27.5	-	33	33
39	-	63.4	62.3	60.2	57.8	46.4	42.6	40.1	32.0	26.5	-	39	39
46	-	-	50.8	51.0	50.6	40.5	37.2	35.6	30.6	25.3	-	46	46
52	-	-	45.1	44.0	45.2	36.0	33.3	32.0	29.2	24.3	-	52	52
59	-	-	-	37.0	38.6	31.7	29.5	28.6	26.6	23.1	-	59	59
65	-	-	-	32.9	33.3	28.7	26.7	26.2	24.4	22.1	-	65	65
72	-	-	-	-	28.5	25.8	24.0	23.6	22.3	20.3	-	72	72
79	-	-	-	-	24.5	23.2	21.7	21.5	20.2	18.6	-	79	79
85	-	-	-	-	21.9	20.8	19.9	19.7	18.8	17.2	-	85	85
92	-	-	-	-	-	18.2	18.0	18.0	17.1	15.8	-	92	92
98	-	-	-	-	-	17.0	16.0	16.8	15.9	14.8	-	98	98
105	-	-	-	-	-	-	14.1	15.6	14.7	13.6	-	105	105
111	-	-	-	-	-	-	13.3	14.8	13.7	12.6	-	111	111
118	-	-	-	-	-	-	-	13.4	12.5	11.6	-	118	118
124	-	-	-	-	-	-	-	12.2	11.3	11.0	-	124	124
131	-	-	-	-	-	-	-	-	10.1**	10.1	-	131	131
138	-	-	-	-	-	-	-	-	9.0	9.0	-	138	138
144	-	-	-	-	-	-	-	-	-	8.2	-	144	144
151	-	-	-	-	-	-	-	-	-	7.2	-	151	151
157	-	-	-	-	-	-	-	-	-	-	-	157	157

55,100 lb                    **85%**

		Length of main boom											
Radius	ft	41.0	55.1	68.9	82.7	96.8	110.6	124.7	138.5	152.2	164.7	Radius	ft
	ft	1,000 lb											ft
10	220.0 ¹⁾	-	-	-	-	-	-	-	-	-	-	10	10
10	187.1	-	-	-	-	-	-	-	-	-	-	10	10
11	178.6	171.4	163.9	-	-	-	-	-	-	-	-	11	11
13	163.3	156.9	151.3	117.2	-	-	-	-	-	-	-	13	13
15	150.3	144.6	139.3	110.3	-	-	-	-	-	-	-	15	15
16	144.5	139.3	134.0	106.9	92.5	-	-	-	-	-	-	16	16
19	129.2	125.0	120.1	97.9	88.0	76.1	-	-	-	-	-	19	19
23	110.7	109.6	105.2	87.4	80.6	68.0	60.5	-	-	-	-	23	23
26	96.2	96.1	94.7	81.0	75.5	63.0	56.5	46.3	-	-	-	26	26
29	83.7	84.8	83.7	75.2	71.1	58.5	52.7	45.3	34.0	28.8	-	29	29
33	-	72.7	71.6	68.4	65.8	53.1	48.3	43.5	33.2	27.5	-	33	33
39	-	59.8	58.5	58.8	57.8	46.4	42.6	40.1	32.0	26.5	-	39	39
46	-	-	49.2	46.8	48.8	40.5	37.2	35.6	30.6	25.3	-	46	46
52	-	-	40.8	40.5	40.3	36.0	33.3	32.0	29.2	24.3	-	52	52
59	-	-	-	34.0	32.6	31.7	29.5	28.6	26.6	23.1	-	59	59
65	-	-	-	29.1	28.0	27.1	26.7	26.2	24.4	22.1	-	65	65
72	-	-	-	-	25.6	22.7	22.8	23.6	22.3	20.3	-	72	72
79	-	-	-	-	22.1	21.1	19.3	20.8	20.2	18.6	-	79	79
85	-	-	-	-	19.7	19.6	17.9	19.2	18.3	17.2	-	85	85
92	-	-	-	-	-	17.3	16.5	16.7	16.0	15.8	-	92	92
98	-	-	-	-	-	15.7	15.2	15.1	14.2	14.4	-	98	98
105	-	-	-	-	-	-	14.1	13.2	13.0**	12.5	-	105	105
111	-	-	-	-	-	-	12.8	12.4*	11.9**	11.1	-	111	111
118	-	-	-	-	-	-	-	11.4*	10.6**	9.7	-	118	118
124	-	-	-	-	-	-	-	9.3	9.5**	8.5	-	124	124
131	-	-	-	-	-	-	-	-	8.4**	7.5	-	131	131
138	-	-	-	-	-	-	-	-	6.3	6.3	-	138	138
144	-	-	-	-	-	-	-	-	-	5.7	-	144	144
151	-	-	-	-	-	-	-	-	-	5.0	-	151	151

29,320 lb



25'1" x 24'7"

360°

85%

Length of main boom

Radius	ft	41.0	55.1	68.9	82.7	96.8	110.6	124.7	138.5	152.2	164.7	Radius
ft						1,000 lb						ft
10	220.0 ¹⁾	-	-	-	-	-	-	-	-	-	-	10
10	187.1	-	-	-	-	-	-	-	-	-	-	10
11	178.6	171.4	163.9	-	-	-	-	-	-	-	-	11
13	163.3	156.9	151.3	117.2	-	-	-	-	-	-	-	13
15	150.3	144.6	139.3	110.3	-	-	-	-	-	-	-	15
16	144.5	139.3	134.0	106.9	92.5	-	-	-	-	-	-	16
19	124.4	123.5	120.1	97.9	88.0	76.1	-	-	-	-	-	19
23	99.9	100.1	98.8	87.4	80.6	68.0	60.5	-	-	-	-	23
26	86.6	86.8	83.9	78.9	75.5	63.0	56.5	46.3	-	-	-	26
29	76.2	76.5	71.5	67.9	66.6	58.5	52.7	45.3	34.0	28.8	-	29
33	-	61.4	61.9	59.5	55.8	52.1	48.2	43.5	33.2	27.4	-	33
39	-	45.3	46.7	47.4	41.7	41.2	39.7	39.2	32.0	24.4	-	39
46	-	-	34.9	35.8	36.7	32.3	31.4	32.3	30.5	19.5	-	46
52	-	-	28.3	29.0	30.4	28.8	28.4	28.1	26.5	16.3	-	52
59	-	-	-	23.1	24.5	24.7	25.1	23.6	22.9**	13.2	-	59
65	-	-	-	19.5	20.6	20.8	21.3	21.1*	20.1**	11.0	-	65
72	-	-	-	-	17.2	17.5	17.7	17.9*	17.0**	8.8	-	72
79	-	-	-	-	14.4	14.6	14.9	15.1*	14.2**	7.0	-	79
85	-	-	-	-	12.6	12.6	12.8	13.1*	12.2**	6.0	-	85
92	-	-	-	-	-	10.7	10.9	10.9*	10.3**	4.6	-	92
98	-	-	-	-	-	9.3	9.5	9.5*	8.7**	3.5	-	98
105	-	-	-	-	-	-	8.1	8.1*	7.2**	2.6	-	105
111	-	-	-	-	-	-	7.1	7.1*	6.2**	1.8	-	111
118	-	-	-	-	-	-	-	6.1*	5.3**	-	-	118
124	-	-	-	-	-	-	-	4.2	4.5**	-	-	124
131	-	-	-	-	-	-	-	-	3.5**	-	-	131
138	-	-	-	-	-	-	-	-	1.9	-	-	138

2

25,790 lb



25'1" x 24'7"

360°

85%

Length of main boom

Radius	ft	41.0	55.1	68.9	82.7	96.8	110.6	124.7	138.5	152.2	164.7	Radius
ft						1,000 lb						ft
10	220.0 ¹⁾	-	-	-	-	-	-	-	-	-	-	10
10	187.1	-	-	-	-	-	-	-	-	-	-	10
11	178.6	171.4	163.9	-	-	-	-	-	-	-	-	11
13	163.3	156.9	151.3	117.2	-	-	-	-	-	-	-	13
15	150.3	144.6	139.3	110.3	-	-	-	-	-	-	-	15
16	144.5	139.3	134.0	106.9	92.5	-	-	-	-	-	-	16
19	123.1	122.3	120.1	97.9	88.0	76.1	-	-	-	-	-	19
23	98.6	98.8	96.6	87.4	80.6	68.0	60.5	-	-	-	-	23
26	85.7	85.7	80.8	76.3	74.1	63.0	56.5	46.3	-	-	-	26
29	73.9	74.1	69.9	66.0	64.2	58.5	52.7	45.3	34.0	28.8	-	29
33	-	58.5	59.4	57.5	53.4	49.9	47.9	43.4	33.2	27.5	-	33
39	-	43.2	44.5	45.5	42.1	39.4	37.8	37.6	32.0	26.5	-	39
46	-	-	33.2	34.1	35.6	31.2	31.4	31.9	30.1	25.3	-	46
52	-	-	26.7	27.6	28.9	28.8	28.4	26.8	25.3	24.3	-	52
59	-	-	-	21.8	23.1	23.4	23.8	22.9*	22.0**	20.3	-	59
65	-	-	-	18.2	19.5	19.7	20.0	20.1*	19.0**	17.4	-	65
72	-	-	-	-	16.1	16.3	16.6	16.8*	15.9**	14.6	-	72
79	-	-	-	-	13.5	13.5	14.0	14.0*	13.3**	12.2	-	79
85	-	-	-	-	11.5	11.7	12.0	12.2*	11.3**	10.2	-	85
92	-	-	-	-	-	9.8	10.1	10.3*	9.4**	8.3	-	92
98	-	-	-	-	-	8.4	8.6	8.9*	8.0**	6.9	-	98
105	-	-	-	-	-	-	7.4	7.4*	6.6**	5.7	-	105
111	-	-	-	-	-	-	6.4	6.4*	5.6**	4.7	-	111
118	-	-	-	-	-	-	-	5.5*	4.6**	3.5	-	118
124	-	-	-	-	-	-	-	3.6	3.8**	2.9	-	124
131	-	-	-	-	-	-	-	-	3.1**	2.0	-	131
138	-	-	-	-	-	-	-	-	1.3	1.3	-	138

Remarks

¹⁾ over rear

* Length of main boom 133.9 ft

²⁾ with added equipment

** Length of main boom 147.6 ft

Lifting capacities main boom

4,400 lb



25'1" x 24'7"

360°

85 %

Length of main boom

Radius	ft	41.0	55.1	68.9	82.7	96.8	110.6	124.7	138.5	152.2	164.7	Radius
ft		1,000 lb										ft
10		220.0 ¹⁾	-	-	-	-	-	-	-	-	-	10
10		187.1	-	-	-	-	-	-	-	-	-	10
11		178.6	171.4	163.9	-	-	-	-	-	-	-	11
13		163.3	156.9	151.3	117.2	-	-	-	-	-	-	13
15		148.5	144.2	137.7	110.3	-	-	-	-	-	-	15
16		137.8	136.8	125.5	106.9	93.7	-	-	-	-	-	16
19		112.6	107.6	95.6	86.0	80.0	71.4	-	-	-	-	19
23		75.1	75.6	72.3	68.6	61.3	54.7	50.1	-	-	-	23
26		56.8	57.2	58.8	56.9	54.8	45.1	41.7	40.6	-	-	26
29		44.9	45.2	47.0	47.8	46.8	42.0	39.6	36.7	33.8	28.8	29
33		-	34.0	35.8	37.1	38.2	36.3	34.8	33.7*	28.5**	27.1	33
39		-	23.5	25.1	26.0	27.5	27.6	27.1	26.4*	23.8**	21.0	39
46		-	-	17.3	18.2	19.7	20.0	20.4	20.4*	18.4**	16.0	46
52		-	-	13.3	14.2	15.3	15.5	16.0	16.2*	14.8**	12.8	52
59		-	-	-	10.6	11.7	11.9	12.3	12.3*	11.7**	9.9	59
65		-	-	-	8.3	9.4	9.7	9.9	10.1*	9.4**	7.9	65
72		-	-	-	-	7.5	7.5	7.9	7.9*	7.3**	5.7	72
79		-	-	-	-	5.6	5.8	6.3	6.3*	5.4**	4.1	79
85		-	-	-	-	4.4	4.4	4.9	5.1*	4.2**	3.1	85
92		-	-	-	-	-	3.2	3.7	3.7*	2.8**	1.7	92
98		-	-	-	-	-	2.4	2.7	2.7*	1.8**	-	98
105		-	-	-	-	-	-	1.7	1.7*	-	-	105
111		-	-	-	-	-	-	-	-	-	-	111

0 lb



25'1" x 24'7"

360°

85 %

Length of main boom

Radius	ft	41.0	55.1	68.9	82.7	96.8	110.6	124.7	138.5	152.2	164.7	Radius
ft		1,000 lb										ft
10		220.0 ¹⁾	-	-	-	-	-	-	-	-	-	10
10		187.1	-	-	-	-	-	-	-	-	-	10
11		178.6	171.4	163.9	-	-	-	-	-	-	-	11
13		163.3	156.9	151.3	117.2	-	-	-	-	-	-	13
15		145.9	143.2	129.8	109.4	-	-	-	-	-	-	15
16		135.4	131.6	116.6	102.4	94.5	-	-	-	-	-	16
19		106.4	98.9	87.9	82.3	74.8	65.0	-	-	-	-	19
23		68.8	68.8	65.5	62.2	58.9	48.4	44.4	-	-	-	23
26		51.8	52.2	53.4	51.1	49.7	44.0	39.6	37.8	-	-	26
29		40.6	40.9	42.8	42.4	41.9	39.0	36.9	35.0*	29.7	28.4	29
33		-	30.1	31.8	32.9	33.8	32.1	30.8	29.9*	26.9**	23.6	33
39		-	20.6	21.9	23.0	24.6	24.7	24.0	23.3*	20.8**	18.1	39
46		-	-	15.1	16.0	17.3	17.5	18.0	17.8*	15.8**	13.6	46
52		-	-	11.3	12.2	13.3	13.7	14.0	14.1*	12.6**	10.6	52
59		-	-	-	8.8	10.1	10.3	10.6	10.8*	9.7**	7.9	59
65		-	-	-	6.8	8.1	8.1	8.5	8.6*	7.9**	6.1	65
72		-	-	-	-	6.0	6.2	6.6	6.6*	6.0**	4.2	72
79		-	-	-	-	4.3	4.5	4.7	5.0*	4.1**	2.6	79
85		-	-	-	-	3.1	3.3	3.5	3.8*	2.9**	1.5	85
92		-	-	-	-	-	2.1	2.4	2.6*	1.7**	-	92
98		-	-	-	-	-	1.3	1.6	1.6*	-	-	98

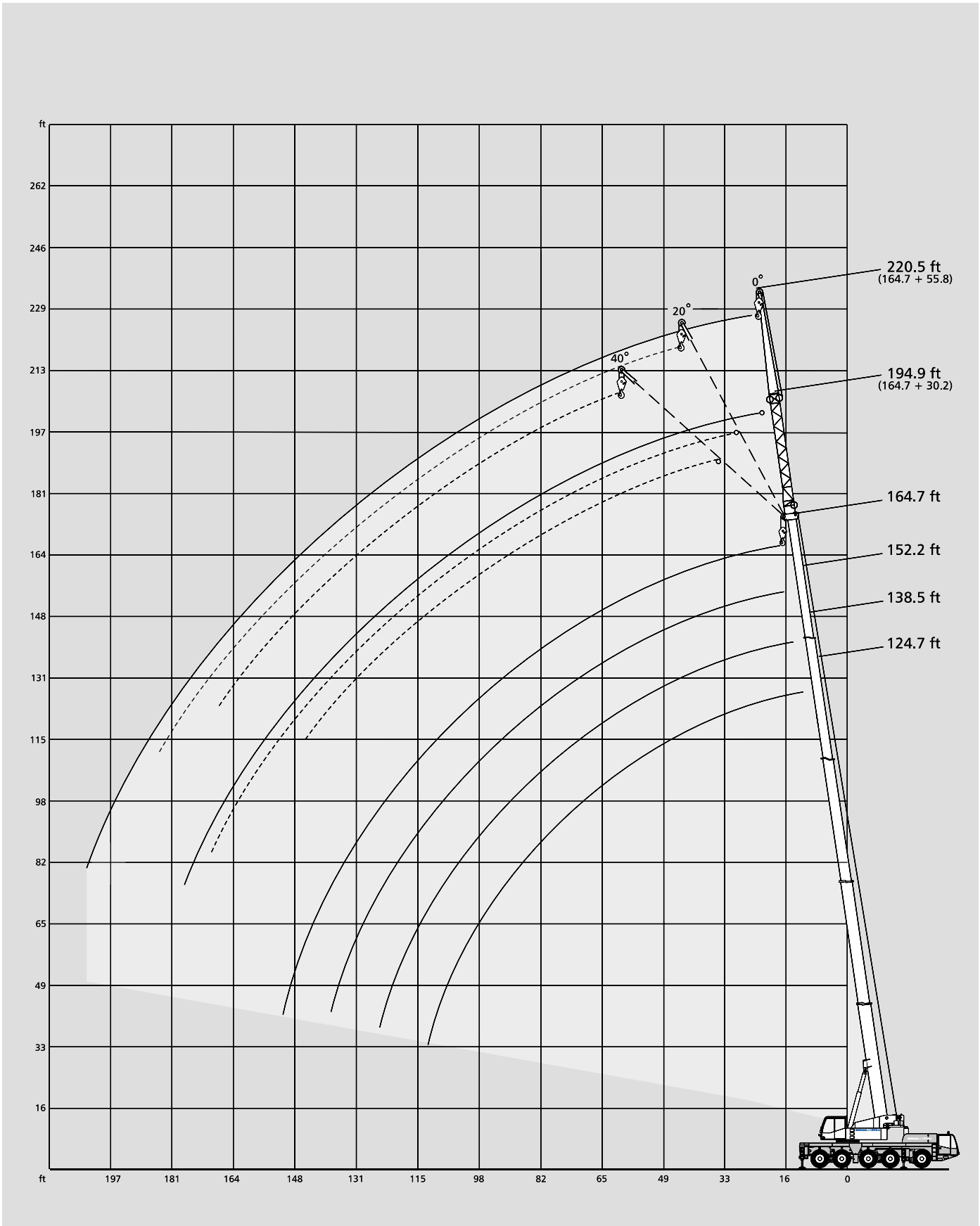
Remarks

¹⁾ over rear

* Length of main boom 133.9 ft

** Length of main boom 147.6 ft

Working ranges main boom extension



Lifting capacities main boom extension

70,530 lb   25'1" x 24'7" 360° 85%

124.7 ft Main boom							
Radius ft	30.2 ft Extension			55.8 ft			1,000 lb
	0°	20°	40°	0°	20°	40°	
	23	31.7	-	-	-	-	
26	31.3	-	-	17.9	-	-	
29	30.3	-	-	17.3	-	-	
33	28.8	20.4	-	16.5	-	-	
39	27.0	19.6	-	15.4	-	-	
46	24.8	18.9	15.6	14.3	10.5	-	
52	23.0	18.3	15.4	13.3	10.1	-	
59	21.3	17.6	14.9	12.3	9.4	7.9	
65	19.9	17.0	14.5	11.7	9.0	7.7	
72	18.3	16.5	14.3	11.0	8.6	7.5	
79	16.9	15.6	14.1	10.3	8.1	7.2	
85	15.7	15.0	13.8	9.7	7.9	7.0	
92	14.3	14.0	13.6	9.2	7.4	6.8	
98	13.0	13.2	13.4	8.8	7.2	6.6	
105	11.9	12.1	12.7	8.3	7.0	6.6	
111	10.8	11.3	12.1	7.9	6.8	6.4	
118	9.9	10.1	-	7.7	6.8	6.3	
124	9.1	9.3	-	7.3	6.6	6.3	
131	8.4	8.6	-	7.0	6.6	6.3	
138	7.6	7.9	-	6.6	6.3	6.3	
144	-	-	-	6.4	6.1	-	
151	-	-	-	6.1	6.1	-	
157	-	-	-	5.7	5.9	-	
164	-	-	-	5.2	5.5	-	
170	-	-	-	-	-	-	
177	-	-	-	-	-	-	
184	-	-	-	-	-	-	

138.5 ft Main boom							
Radius ft	30.2 ft Extension			55.8 ft			1,000 lb
	0°	20°	40°	0°	20°	40°	
	23	-	-	-	-	-	
26	-	-	-	-	-	-	
29	25.9	-	-	15.9	-	-	
33	24.8	-	-	15.4	-	-	
39	23.6	19.4	-	14.3	-	-	
46	22.0	18.5	15.6	13.4	-	-	
52	20.6	17.9	15.2	12.6	9.9	-	
59	19.1	17.2	14.7	11.6	9.4	-	
65	17.9	16.5	14.3	11.0	9.0	7.5	
72	16.5	15.8	14.1	10.3	8.6	7.2	
79	15.3	15.1	13.6	9.8	8.1	7.0	
85	14.3	14.5	13.2	9.2	7.9	6.8	
92	13.2	13.6	12.9	8.8	7.4	6.6	
98	12.4	13.0	12.5	8.4	7.2	6.4	
105	11.4	12.1	12.1	8.1	7.0	6.3	
111	10.6	11.3	11.7	7.7	6.8	6.3	
118	9.9	10.3	11.0	7.4	6.8	6.1	
124	9.3	9.3	10.2	7.1	6.8	6.1	
131	8.4	8.4	-	6.8	6.8	6.1	
138	7.9	7.9	-	6.6	6.8	6.1	
144	7.5	7.7	-	6.4	6.8	6.4	
151	7.2	7.4	-	5.9	6.6	6.1	
157	-	-	-	5.7	6.2	-	
164	-	-	-	5.2	5.5	-	
170	-	-	-	4.8	4.7	-	
177	-	-	-	4.4	-	-	
184	-	-	-	-	-	-	

152.2 ft Main boom							
Radius ft	30.2 ft Extension			55.8 ft			1,000 lb
	0°	20°	40°	0°	20°	40°	
	29	-	-	-	-	-	
33	22.6	-	-	14.0**	-	-	
39	20.8	-	-	13.7	-	-	
46	19.1	15.6	-	12.7	-	-	
52	17.9	15.0	13.4	12.1	9.5**	-	
59	16.5	14.3	12.7	11.4	9.0	-	
65	15.5	13.7	12.1	10.8	8.8	-	
72	14.3	12.8	11.4	10.3	8.3	7.0	
79	13.4	12.0	11.0	9.6	7.9	6.8	
85	12.6	11.4	10.6	9.2	7.7	6.8	
92	11.8	11.0	10.1	8.8	7.2	6.6	
98	11.2	10.4	9.7	8.4	7.0	6.6	
105	10.5	9.9	9.2	7.9	6.6	6.3	
111	9.9	9.3	9.0	7.7	6.4	6.3	
118	9.2	8.8	8.6	7.2	6.1	6.1	
124	8.6	8.4	8.4	7.0	5.9	5.9	
131	8.1	7.9	7.9	6.8	5.7	5.7	
138	7.7**	7.4	7.4	6.3	5.7	5.5	
144	7.2**	7.2**	-	6.1	5.5	5.5	
151	7.0**	7.0**	-	5.9	5.5	5.2	
157	6.8**	6.8**	-	5.7	5.3	5.2	
164	5.2	5.5	-	5.2	5.0	-	
170	-	-	-	5.0	4.8	-	
177	-	-	-	4.4	4.6	-	
184	-	-	-	4.4**	4.1	-	
190	-	-	-	3.5	-	-	
197	-	-	-	-	-	-	

164.7 ft Main boom							
Radius ft	30.2 ft Extension			55.8 ft			1,000 lb
	0°	20°	40°	0°	20°	40°	
	39	18.5	-	-	12.3	-	
46	17.4	15.2	-	11.9	-	-	
52	16.6	14.1	-	11.4	-	-	
59	15.6	13.4	12.1	11.0	9.0	-	
65	14.8	12.6	11.5	10.6	8.6	-	
72	13.9	11.9	11.0	10.1	8.3	7.0	
79	13.2	11.4	10.5	9.6	7.9	6.8	
85	12.5	10.8	10.1	9.2	7.5	6.6	
92	11.8	10.3	9.6	8.8	7.2	6.3	
98	11.0	9.9	9.2	8.4	6.8	6.3	
105	10.3	9.4	9.0	7.9	6.6	6.1	
111	9.7	9.0	8.8	7.5	6.4	5.9	
118	9.0	8.6	8.3	7.0	6.1	5.9	
124	8.4	8.2	8.1	6.6	5.9	5.7	
131	7.7	7.7	7.7	6.1	5.7	5.5	
138	7.0	7.0	7.4	5.9	5.5	5.5	
144	6.4	6.4	7.0	5.5	5.3	5.3	
151	5.9	5.9	-	5.2	5.0	5.0	
157	5.3	5.5	-	5.0	5.0	4.8	
164	4.8	4.8	-	4.8	4.8	4.8	
170	4.4	4.4	-	4.4	4.6	4.6	
177	3.9	-	-	4.1	4.4	-	
184	-	-	-	3.7	4.1	-	
190	-	-	-	3.3	-	-	
197	-	-	-	2.8	-	-	
203	-	-	-	2.4	-	-	
216	-	-	-	-	-	-	

Remarks

* Length of main boom 133.9 ft

** Length of main boom 147.6 ft

55,100 lb



25'1" x 24'7"

360°

85%

124.7 ft Main boom

Radius ft	30.2 ft			Extension			55.8 ft		
	0°	20°	40°	1,000 lb			0°	20°	40°
23	31.7	-	-	-	-	-	-	-	-
26	31.3	-	-	-	-	-	17.9	-	-
29	30.3	-	-	-	-	-	17.3	-	-
33	28.8	20.4	-	-	-	-	16.5	-	-
39	27.0	19.6	-	-	-	-	15.4	-	-
46	24.8	18.9	15.6	-	-	-	14.3	10.5	-
52	23.0	18.3	15.4	-	-	-	13.3	10.1	-
59	21.3	17.6	14.9	-	-	-	12.3	9.4	7.9
65	19.9	17.0	14.5	-	-	-	11.7	9.0	7.7
72	18.3	16.5	14.3	-	-	-	11.0	8.6	7.5
79	16.9	15.6	14.1	-	-	-	10.3	8.1	7.2
85	15.7	15.0	13.8	-	-	-	9.7	7.9	7.0
92	14.3	14.0	13.6	-	-	-	9.2	7.4	6.8
98	13.0	13.2	13.4	-	-	-	8.8	7.2	6.6
105	11.2	11.9	12.3	-	-	-	8.3	7.0	6.6
111	9.8	10.4	10.7	-	-	-	7.9	6.8	6.4
118	8.6	8.8	-	-	-	-	7.7	6.8	6.3
124	8.2	7.9	-	-	-	-	7.3	6.6	6.3
131	7.9	7.7	-	-	-	-	7.0	6.6	6.3
138	7.4	7.4	-	-	-	-	6.1	6.3	6.3
144	-	-	-	-	-	-	5.3	5.9	-
151	-	-	-	-	-	-	4.8	5.0	-
157	-	-	-	-	-	-	4.6	4.6	-
164	-	-	-	-	-	-	4.4	4.4	-
170	-	-	-	-	-	-	-	-	-
177	-	-	-	-	-	-	-	-	-
184	-	-	-	-	-	-	-	-	-

138.5 ft Main boom

Radius ft	30.2 ft			Extension			55.8 ft		
	0°	20°	40°	1,000 lb			0°	20°	40°
23	-	-	-	-	-	-	-	-	-
26	-	-	-	-	-	-	-	-	-
29	25.9	-	-	-	-	-	15.9	-	-
33	24.8	-	-	-	-	-	15.4	-	-
39	23.6	19.4	-	-	-	-	14.3	-	-
46	22.0	18.5	15.6	-	-	-	13.4	-	-
52	20.6	17.9	15.2	-	-	-	12.6	9.9	-
59	19.1	17.2	14.7	-	-	-	11.6	9.4	-
65	17.9	16.5	14.3	-	-	-	11.0	9.0	7.5
72	16.5	15.8	14.1	-	-	-	10.3	8.6	7.2
79	15.3	15.1	13.6	-	-	-	9.8	8.1	7.0
85	14.3	14.5	13.2	-	-	-	9.2	7.9	6.8
92	13.2	13.6	12.9	-	-	-	8.8	7.4	6.8
98	12.4	13.0	12.5	-	-	-	8.4	7.2	6.6
105	11.4	12.1	12.1	-	-	-	8.1	7.0	6.3
111	10.2	10.9	11.3	-	-	-	7.7	6.8	6.3
118	9.0	9.5	9.7	-	-	-	7.4	6.8	6.1
124	8.6	8.4	8.5	-	-	-	7.1	6.8	6.1
131	7.9	8.1	-	-	-	-	6.8	6.8	6.1
138	7.2*	7.2	-	-	-	-	6.3	6.8	6.1
144	6.8*	6.8*	-	-	-	-	5.5	6.4	6.1
151	5.2	5.5	-	-	-	-	5.2	5.5	5.9
157	-	-	-	-	-	-	5.0	5.0	-
164	-	-	-	-	-	-	4.6	4.8	-
170	-	-	-	-	-	-	4.2*	4.4	-
177	-	-	-	-	-	-	3.5	-	-
184	-	-	-	-	-	-	-	-	-

152.2 ft Main boom

Radius ft	30.2 ft			Extension			55.8 ft		
	0°	20°	40°	1,000 lb			0°	20°	40°
29	-	-	-	-	-	-	-	-	-
33	22.6	-	-	-	-	-	14.0**	-	-
39	20.8	-	-	-	-	-	13.7	-	-
46	19.1	15.6	-	-	-	-	12.7	-	-
52	17.9	15.0	13.4	-	-	-	12.1	9.5**	-
59	16.5	14.3	12.7	-	-	-	11.4	9.0	-
65	15.5	13.7	12.1	-	-	-	10.8	8.8	-
72	14.3	12.8	11.4	-	-	-	10.3	8.3	7.0
79	13.4	12.0	11.0	-	-	-	9.6	7.9	6.8
85	12.6	11.4	10.6	-	-	-	9.2	7.7	6.8
92	11.8	11.0	10.1	-	-	-	8.8	7.2	6.6
98	11.2	10.4	9.7	-	-	-	8.4	7.0	6.6
105	10.5	9.9	9.2	-	-	-	7.9	6.6	6.3
111	9.9	9.3	9.0	-	-	-	7.7	6.4	6.3
118	9.2	8.8	8.6	-	-	-	7.2	6.1	6.1
124	8.4**	8.4	8.4	-	-	-	7.0	5.9	5.9
131	7.9**	7.7**	7.7	-	-	-	6.8	5.7	5.7
138	6.8**	7.2**	6.5	-	-	-	6.3	5.7	5.5
144	6.2**	6.4**	-	-	-	-	5.7	5.5	5.5
151	5.2**	5.5**	-	-	-	-	5.0	5.5	5.2
157	4.6**	4.8**	-	-	-	-	4.8**	5.1	5.2
164	-	3.3	-	-	-	-	4.4**	4.4**	-
170	-	-	-	-	-	-	3.8**	4.2**	-
177	-	-	-	-	-	-	3.3**	3.7**	-
184	-	-	-	-	-	-	2.8**	3.0**	-
190	-	-	-	-	-	-	1.7	-	-
197	-	-	-	-	-	-	-	-	-

164.7 ft Main boom

Radius ft	30.2 ft			Extension			55.8 ft		
	0°	20°	40°	1,000 lb			0°	20°	40°
29	-	-	-	-	-	-	-	-	-
33	-	-	-	-	-	-	-	-	-
39	18.5	-	-	-	-	-	12.3	-	-
46	17.4	15.2	-	-	-	-	11.9	-	-
52	16.6	14.1	-	-	-	-	11.4	-	-
59	15.6	13.4	12.1	-	-	-	11.0	9.0	-
65	14.8	12.6	11.5	-	-	-	10.6	8.6	-
72	13.9	11.9	11.0	-	-	-	10.1	8.3	7.0
79	13.2	11.4	10.5	-	-	-	9.6	7.9	6.8
85	12.5	10.8	10.1	-	-	-	9.2	7.5	6.6
92	11.8	10.3	9.6	-	-	-	8.8	7.2	6.3
98	11.0	9.9	9.2	-	-	-	8.4	6.8	6.3
105	10.3	9.4	9.0	-	-	-	7.9	6.6	6.1
111	9.7	9.0	8.8	-	-	-	7.5	6.4	5.9
118	9.0	8.6	8.3	-	-	-	7.0	6.1	5.9
124	8.0	8.2	8.1	-	-	-	6.6	5.9	5.7
131	6.8	7.5	7.7	-	-	-	6.1	5.7	5.5
138	5.9	6.3	6.5	-	-	-	5.9	5.5	5.5
144	5.1	5.5	5.7	-	-	-	5.5	5.3	5.3
151	4.4	4.6	-	-	-	-	4.8	5.0	5.0
157	3.7	4.0	-	-	-	-	4.2	4.8	4.8
164	3.0	3.3	-	-	-	-	3.5	4.1	4.6
170	2.4	2.7	-	-	-	-	2.9	3.5	3.8
177	1.9	-	-	-	-	-	2.4	2.8	-
184	-	-	-	-	-	-	1.7	2.1	-
190	-	-	-	-	-	-	1.3	-	-
197	-	-	-	-	-	-	-	-	-

Remarks

* Length of main boom 133.9 ft

** Length of main boom 147.6 ft

Lifting capacities main boom extension

29,320 lb



25'1" x 24'7"

360°

85%

124.7 ft Main boom

Radius ft	Extension					
	30.2 ft			55.8 ft		
	0°	20°	40°	0°	20°	40°
	1,000 lb					
23	31.7	-	-	-	-	-
26	31.3	-	-	17.9	-	-
29	30.3	-	-	17.3	-	-
33	28.8	20.4	-	16.5	-	-
39	27.0	19.6	-	15.4	-	-
46	24.8	18.9	15.6	14.3	10.5	-
52	23.0	18.3	15.4	13.3	10.1	-
59	20.7	17.6	14.9	12.3	9.4	7.9
65	17.7	17.0	14.5	11.7	9.0	7.7
72	14.6	15.9	14.3	11.0	8.6	7.5
79	12.3	13.3	14.0	10.3	8.1	7.2
85	11.7	11.1	12.0	9.7	7.9	7.0
92	10.7	9.6	9.8	9.2	7.4	6.8
98	9.5	9.2	9.2	7.8	7.2	6.6
105	8.1	8.5	8.8	7.0	7.0	6.6
111	6.9	7.5	7.8	6.6	6.4	6.4
118	5.9	6.1	-	6.3	5.9	6.1
124	5.1	5.3	-	5.6	5.7	5.7
131	4.2	4.4	-	4.8	5.3	5.5
138	3.5	3.7	-	3.9	4.6	5.0
144	-	-	-	3.3	4.0	-
151	-	-	-	2.8	3.2	-
157	-	-	-	2.2	2.6	-
164	-	-	-	1.7	1.9	-
170	-	-	-	-	-	-

138.5 ft Main boom

Radius ft	Extension					
	30.2 ft			55.8 ft		
	0°	20°	40°	0°	20°	40°
	1,000 lb					
23	-	-	-	-	-	-
26	-	-	-	-	-	-
29	25.9	-	-	15.9	-	-
33	24.8	-	-	15.4	-	-
39	23.6	19.4	-	14.3	-	-
46	22.0	18.5	15.6	13.4	-	-
52	20.6	17.9	15.2	12.6	9.9	-
59	19.1	17.2	14.7	11.6	9.4	-
65	17.5	16.5	14.3	11.0	9.0	7.5
72	14.8	15.8	14.1	10.3	8.6	7.2
79	12.7	13.5	13.6	9.8	8.1	7.0
85	11.9	11.7	12.6	9.2	7.9	6.8
92	10.3*	10.5	10.3	8.8	7.4	6.8
98	9.5*	9.3	9.5	8.1	7.2	6.6
105	7.9*	7.7	8.5*	7.7	7.0	6.3
111	6.9*	7.5*	7.7*	6.7	6.8	6.3
118	5.7*	6.1*	6.6*	6.1*	6.3	6.1
124	4.9*	5.3*	5.6*	5.5*	5.6	5.9
131	4.2*	4.4*	-	4.6*	5.2*	5.3
138	3.2*	3.7*	-	3.9*	4.6*	5.0*
144	2.8*	2.9*	-	3.3*	3.7*	4.2*
151	-	1.5	-	2.6*	3.0*	-
157	-	-	-	2.2*	2.6*	-
164	-	-	-	1.5*	1.9*	-
170	-	-	-	-	1.5*	-

152.2 ft Main boom

Radius ft	Extension					
	30.2 ft			55.8 ft		
	0°	20°	40°	0°	20°	40°
	1,000 lb					
29	-	-	-	-	-	-
33	22.6	-	-	14.0**	-	-
39	20.8	-	-	13.7	-	-
46	19.1	15.6	-	12.7	-	-
52	17.9	15.0	13.4	12.1	9.5**	-
59	16.5	14.3	12.7	11.4	9.0	-
65	15.5	13.7	12.1	10.8	8.8	-
72	14.3	12.8	11.4	10.3	8.3	7.0
79	12.7	12.0	11.0	9.6	7.9	6.8
85	11.2**	11.4	10.6	9.2	7.7	6.8
92	10.1**	10.1	10.1	8.8	7.2	6.6
98	8.4**	9.2**	9.1	8.2	7.0	6.6
105	7.0**	7.7**	8.3**	7.4**	6.6	6.3
111	6.0**	6.7**	7.1**	6.4**	6.4	6.3
118	4.8**	5.5**	5.7**	5.5**	5.9	6.1
124	4.0**	4.5**	4.9**	4.5**	5.5**	5.7
131	3.1**	3.5**	3.7**	3.7**	4.6**	5.2**
138	2.4**	2.8**	2.1	2.8**	3.7**	4.3**
144	1.8**	2.2**	-	2.2**	3.1**	3.5**
151	-	1.5**	-	1.7**	2.4**	2.8**
157	-	-	-	-	1.8**	2.2**

164.7 ft Main boom

Radius ft	Extension					
	30.2 ft			55.8 ft		
	0°	20°	40°	0°	20°	40°
	1,000 lb					
29	-	-	-	-	-	-
33	-	-	-	-	-	-
39	18.5	-	-	12.3	-	-
46	17.4	15.2	-	11.9	-	-
52	16.6	14.1	-	11.4	-	-
59	15.6	13.4	12.1	11.0	9.0	-
65	14.8	12.6	11.5	10.6	8.6	-
72	13.9	11.9	11.0	10.1	8.3	7.0
79	12.2	11.4	10.5	9.6	7.9	6.8
85	10.6	10.8	10.1	9.2	7.5	6.6
92	8.7	9.8	9.6	8.7	7.2	6.3
98	7.3	8.4	9.0	7.5	6.8	6.3
105	5.9	6.8	7.4	6.3	6.6	6.1
111	4.9	5.8	6.2	5.3	6.4	5.9
118	3.7	4.6	5.0	4.2	5.5	5.9
124	2.9	3.6	4.0	3.5	4.7	5.5
131	2.2	2.6	3.1	2.6	3.7	4.6
138	1.2	1.9	2.1	1.9	2.8	3.7
144	-	-	1.5	-	2.2	2.9
151	-	-	-	-	1.5	2.1
157	-	-	-	-	-	1.3

Remarks

* Length of main boom 133.9 ft

** Length of main boom 147.6 ft

25,790 lb



25'1" x 24'7"

360°

85%

124.7 ft Main boom

Radius ft	Extension					
	30.2 ft			55.8 ft		
	0°	20°	40°	0°	20°	40°
	1,000 lb					
23	31.7	-	-	-	-	-
26	31.3	-	-	17.9	-	-
29	30.3	-	-	17.3	-	-
33	28.8	20.4	-	16.5	-	-
39	27.0	19.6	-	15.4	-	-
46	24.8	18.9	15.6	14.3	10.5	-
52	23.0	18.3	15.4	13.3	10.1	-
59	19.4	17.6	14.9	12.3	9.4	7.9
65	16.6	17.0	14.5	11.7	9.0	7.7
72	13.5	15.0	14.3	11.0	8.6	7.5
79	12.3	12.2	13.3	10.3	8.1	7.2
85	11.7	10.3	11.1	9.7	7.9	7.0
92	10.1	9.6	9.6	8.3	7.4	6.8
98	8.6	9.2	9.2	7.5	7.2	6.6
105	7.2	7.9	8.1	7.0	7.0	6.6
111	6.2	6.7	6.9	6.6	6.1	6.4
118	5.0	5.5	-	5.7	5.9	5.9
124	4.2	4.7	-	4.9	5.7	5.7
131	3.5	3.7	-	4.2	4.8	5.3
138	2.8	3.0	-	3.2	3.9	4.3
144	-	-	-	2.8	3.3	-
151	-	-	-	2.1	2.6	-
157	-	-	-	1.7	2.0	-
164	-	-	-	-	1.5	-
170	-	-	-	-	-	-

138.5 ft Main boom

Radius ft	Extension					
	30.2 ft			55.8 ft		
	0°	20°	40°	0°	20°	40°
	1,000 lb					
23	-	-	-	-	-	-
26	-	-	-	-	-	-
29	25.9	-	-	15.9	-	-
33	24.8	-	-	15.4	-	-
39	23.6	19.4	-	14.3	-	-
46	22.0	18.5	15.6	13.4	-	-
52	20.6	17.9	15.2	12.6	9.9	-
59	19.1	17.2	14.7	11.6	9.4	-
65	16.5	16.5	14.3	11.0	9.0	7.5
72	13.9	15.2	14.1	10.3	8.6	7.2
79	12.7	12.7	13.5	9.8	8.1	7.0
85	11.1	11.0	11.5	9.2	7.9	6.8
92	10.1*	9.8	9.9	8.5	7.4	6.8
98	8.6*	9.0*	9.0	8.1	7.2	6.6
105	7.2*	7.9*	8.3*	7.0*	7.0	6.3
111	6.2*	6.7*	7.1*	6.6*	6.6	6.3
118	5.0*	5.5*	5.7*	5.7*	5.9	6.1
124	4.2*	4.7*	4.9*	4.9*	5.5*	5.7
131	3.5*	3.7*	-	4.0*	4.8*	5.2*
138	2.8*	3.0*	-	3.2*	3.9*	4.3*
144	2.2*	2.4*	-	2.6*	3.3*	3.7*
151	-	-	-	1.9*	2.6*	2.1
157	-	-	-	1.5*	2.0*	-
164	-	-	-	-	1.5*	-
170	-	-	-	-	-	-

152.2 ft Main boom

Radius ft	Extension					
	30.2 ft			55.8 ft		
	0°	20°	40°	0°	20°	40°
	1,000 lb					
33	22.6	-	-	14.0**	-	-
39	20.8	-	-	13.7	-	-
46	19.1	15.6	-	12.7	-	-
52	17.9	15.0	13.4	12.1	9.5**	-
59	16.5	14.3	12.7	11.4	9.0	-
65	15.5	13.7	12.1	10.8	8.8	-
72	13.9	12.8	11.4	10.3	8.3	7.0
79	11.8	12.0	11.0	9.6	7.9	6.8
85	10.8**	11.0	10.6	9.2	7.7	6.8
92	9.0**	9.6**	9.8	8.5	7.2	6.6
98	7.5**	8.4**	9.0**	7.9**	7.0	6.6
105	6.1**	7.0**	7.4**	6.8**	6.6	6.3
111	5.1**	5.8**	6.2**	5.8**	6.2	6.3
118	4.2**	4.6**	5.0**	4.6**	5.9**	6.1
124	3.3**	3.8**	4.0**	3.8**	4.9**	5.5**
131	2.4**	2.8**	3.1**	3.1**	4.0**	4.6**
138	1.7**	2.1**	1.5	2.4**	3.2**	3.7**
144	-	1.5**	-	1.8**	2.4**	3.1**
151	-	-	-	-	1.7**	2.1**
157	-	-	-	-	-	1.5**
164	-	-	-	-	-	-

164.7 ft Main boom

Radius ft	Extension					
	30.2 ft			55.8 ft		
	0°	20°	40°	0°	20°	40°
	1,000 lb					
33	-	-	-	-	-	-
39	18.5	-	-	12.3	-	-
46	17.4	15.2	-	11.9	-	-
52	16.6	14.1	-	11.4	-	-
59	15.6	13.4	12.1	11.0	9.0	-
65	14.8	12.6	11.5	10.6	8.6	-
72	13.4	11.9	11.0	10.1	8.3	7.0
79	11.3	11.4	10.5	9.6	7.9	6.8
85	9.5	10.6	10.1	9.2	7.5	6.6
92	7.6	8.7	9.6	7.9	7.2	6.3
98	6.4	7.3	8.0	6.7	6.8	6.3
105	5.0	5.9	6.6	5.5	6.6	6.1
111	4.0	4.9	5.6	4.5	5.8	5.9
118	3.1	3.7	4.2	3.5	4.8	5.9
124	2.2	2.9	3.3	2.7	3.8	4.9
131	1.5	2.0	2.4	2.0	3.1	4.0
138	-	-	1.5	1.3	2.3	3.0
144	-	-	-	-	1.5	2.2
151	-	-	-	-	-	1.5
157	-	-	-	-	-	-
164	-	-	-	-	-	-

Remarks

* Length of main boom 133.9 ft

** Length of main boom 147.6 ft

Lifting capacities main boom extension

70,530 lb   25'1" x 24'7" 360° 85%

152.2 ft Main boom							
Radius ft	82.0 ft*			108.3 ft*			1,000 lb
	Extension			Extension			
	0°	20°	40°	0°	20°	40°	
39	9.2	-	-	-	-	-	-
46	9.2	-	-	5.5	-	-	-
52	9.2	-	-	5.5	-	-	-
59	9.2	-	-	5.5	-	-	-
65	9.0	8.6	-	5.5	-	-	-
72	9.0	8.3	-	5.5	5.2	-	-
79	8.8	8.1	7.0	5.5	5.2	-	-
85	8.6	7.7	7.0	5.5	5.2	5.0	-
92	8.3	7.4	6.8	5.5	5.2	5.0	-
98	8.3	7.2	6.8	5.5	5.2	5.0	-
105	7.9	7.0	6.6	5.5	5.2	4.8	-
111	7.5	6.8	6.4	5.5	5.0	4.6	-
118	7.2	6.6	6.3	5.2	4.8	4.4	-
124	6.8	6.4	6.1	5.0	4.6	4.4	-
131	6.6	6.1	5.9	4.8	4.4	4.1	-
138	6.1	5.7	5.7	4.4	4.1	3.9	-
144	5.9	5.5	5.5	4.2	3.9	3.7	-
151	5.5	5.2	5.2	3.9	3.7	3.7	-
157	5.3	5.0	5.0	3.7	3.5	3.5	-
164	4.6	4.6	4.8	3.5	3.5	3.3	-
170	4.0	4.4	4.6	3.3	3.3	3.1	-
177	3.5	3.9	-	2.8	3.0	3.0	-
184	2.8	3.5	-	2.1	2.8	2.8	-
190	2.4	2.8	-	1.7	2.4	2.6	-
197	1.7	2.1	-	-	-	-	-
203	-	1.7	-	-	-	-	-
216	-	-	-	-	-	-	-

164.7 ft Main boom							
Radius ft	82.0 ft*			108.3 ft*			1,000 lb
	Extension			Extension			
	0°	20°	40°	0°	20°	40°	
39	-	-	-	-	-	-	-
46	7.7	-	-	-	-	-	-
52	7.7	-	-	3.9	-	-	-
59	7.7	-	-	3.9	-	-	-
65	7.7	-	-	3.9	-	-	-
72	7.7	7.2	-	3.9	3.7	-	-
79	7.7	7.2	-	3.9	3.7	-	-
85	7.7	7.2	6.8	3.9	3.7	-	-
92	7.4	7.0	6.6	3.9	3.7	3.5	-
98	7.2	6.8	6.4	3.9	3.7	3.5	-
105	6.8	6.6	6.1	3.9	3.7	3.5	-
111	6.6	6.2	5.9	3.9	3.7	3.5	-
118	6.1	5.9	5.7	3.9	3.7	3.5	-
124	5.9	5.7	5.3	3.9	3.7	3.5	-
131	5.7	5.3	5.0	3.9	3.5	3.3	-
138	5.2	5.0	4.8	3.7	3.5	3.3	-
144	5.0	4.8	4.6	3.5	3.3	3.0	-
151	4.6	4.6	4.4	3.3	3.0	3.0	-
157	4.4	4.2	4.2	3.1	2.8	2.8	-
164	3.9	3.9	3.9	2.8	2.6	2.6	-
170	3.7	3.7	3.7	2.6	2.6	2.6	-
177	3.1	3.5	3.5	2.4	2.4	2.4	-
184	2.6	3.2	3.5	1.9	2.1	2.4	-
190	2.0	2.6	-	-	1.9	2.2	-
197	1.5	1.9	-	-	-	-	-
203	-	1.5	-	-	-	-	-
216	-	-	-	-	-	-	-

55,100 lb   25'1" x 24'7" 360° 85%

152.2 ft Main boom							
Radius ft	82.0 ft*			108.3 ft*			1,000 lb
	Extension			Extension			
	0°	20°	40°	0°	20°	40°	
39	9.2	-	-	-	-	-	-
46	9.2	-	-	5.5	-	-	-
52	9.2	-	-	5.5	-	-	-
59	9.2	-	-	5.5	-	-	-
65	9.0	8.6	-	5.5	-	-	-
72	9.0	8.3	-	5.5	5.2	-	-
79	8.8	8.1	7.0	5.5	5.2	-	-
85	8.6	7.7	7.0	5.5	5.2	5.0	-
92	8.3	7.4	6.8	5.5	5.2	5.0	-
98	8.3	7.2	6.8	5.5	5.2	5.0	-
105	7.9	7.0	6.6	5.5	5.2	4.8	-
111	7.5	6.8	6.4	5.5	5.0	4.6	-
118	7.2	6.6	6.3	5.2	4.8	4.4	-
124	6.8	6.4	6.1	5.0	4.6	4.4	-
131	6.6	6.1	5.9	4.8	4.4	4.1	-
138	5.7	5.7	5.7	4.4	4.1	3.9	-
144	4.8	5.5	5.5	4.2	3.9	3.7	-
151	3.9	5.0	5.2	3.2	3.7	3.7	-
157	3.3	4.2	4.8	2.6	3.5	3.5	-
164	2.6	3.5	3.9	1.9	3.0	3.3	-
170	2.0	2.9	3.3	1.5	2.4	2.9	-
177	1.5	2.2	-	-	1.7	2.2	-
184	-	1.5	-	-	-	1.5	-

164.7 ft Main boom							
Radius ft	82.0 ft*			108.3 ft*			1,000 lb
	Extension			Extension			
	0°	20°	40°	0°	20°	40°	
39	-	-	-	-	-	-	-
46	7.7	-	-	-	-	-	-
52	7.7	-	-	3.9	-	-	-
59	7.7	-	-	3.9	-	-	-
65	7.7	-	-	3.9	-	-	-
72	7.7	7.2	-	3.9	3.7	-	-
79	7.7	7.2	-	3.9	3.7	-	-
85	7.7	7.2	6.8	3.9	3.7	-	-
92	7.4	7.0	6.6	3.9	3.7	3.5	-
98	7.2	6.8	6.4	3.9	3.7	3.5	-
105	6.8	6.6	6.1	3.9	3.7	3.5	-
111	6.6	6.2	5.9	3.9	3.7	3.5	-
118	6.1	5.9	5.7	3.9	3.7	3.5	-
124	5.9	5.7	5.3	3.9	3.7	3.5	-
131	5.7	5.3	5.0	3.9	3.5	3.3	-
138	5.2	5.0	4.8	3.7	3.5	3.3	-
144	4.4	4.8	4.6	3.5	3.3	3.0	-
151	3.7	4.6	4.4	2.8	3.0	3.0	-
157	3.1	4.0	4.2	2.2	2.8	2.8	-
164	2.4	3.3	3.7	1.5	2.4	2.6	-
170	1.8	2.7	3.1	-	2.0	2.6	-
177	-	2.0	2.4	-	-	2.0	-
184	-	-	1.7	-	-	-	-

Remarks

* Preliminary

29,320 lb



25'1" x 24'7"

360°

85%

152.2 ft Main boom

Radius ft	82.0 ft*			108.3 ft*		
	0°	20°	40°	0°	20°	40°
	1,000 lb					
39	9.2	-	-	-	-	-
46	9.2	-	-	5.5	-	-
52	9.2	-	-	5.5	-	-
59	9.2	-	-	5.5	-	-
65	9.0	8.6	-	5.5	-	-
72	9.0	8.3	-	5.5	5.2	-
79	8.8	8.1	7.0	5.5	5.2	-
85	8.6	7.7	7.0	5.5	5.2	5.0
92	7.6	7.4	6.8	5.5	5.2	5.0
98	6.4	7.2	6.8	5.5	5.2	5.0
105	5.2	7.0	6.6	4.1	5.2	4.8
111	4.2	5.8	6.4	3.1	4.8	4.6
118	3.3	4.8	5.9	2.2	3.7	4.4
124	2.5	3.8	4.9	-	2.9	4.2
131	1.7	3.1	4.0	-	2.0	3.1
138	-	2.1	3.0	-	-	2.3
144	-	1.5	2.4	-	-	1.5
151	-	-	1.5	-	-	-
157	-	-	-	-	-	-

164.7 ft Main boom

Radius ft	82.0 ft*			108.3 ft*		
	0°	20°	40°	0°	20°	40°
	1,000 lb					
39	-	-	-	-	-	-
46	7.7	-	-	-	-	-
52	7.7	-	-	3.9	-	-
59	7.7	-	-	3.9	-	-
65	7.7	-	-	3.9	-	-
72	7.7	7.2	-	3.9	3.7	-
79	7.7	7.2	-	3.9	3.7	-
85	7.7	7.2	6.8	3.9	3.7	-
92	7.0	7.0	6.6	3.9	3.7	3.5
98	6.0	6.8	6.4	3.9	3.7	3.5
105	4.6	6.3	6.1	3.5	3.7	3.5
111	3.8	5.3	5.9	2.5	3.7	3.5
118	2.6	4.2	5.5	1.5	3.0	3.5
124	2.0	3.3	4.5	-	2.2	3.5
131	-	2.4	3.5	-	-	2.6
138	-	1.7	2.6	-	-	1.7
144	-	-	2.0	-	-	-
151	-	-	-	-	-	-
157	-	-	-	-	-	-

25,790 lb



25'1" x 24'7"

360°

85%

152.2 ft Main boom

Radius ft	82.0 ft*			108.3 ft*		
	0°	20°	40°	0°	20°	40°
	1,000 lb					
39	9.2	-	-	-	-	-
46	9.2	-	-	5.5	-	-
52	9.2	-	-	5.5	-	-
59	9.2	-	-	5.5	-	-
65	9.0	8.6	-	5.5	-	-
72	9.0	8.3	-	5.5	5.2	-
79	8.7	8.1	7.0	5.5	5.2	-
85	8.1	7.7	7.0	5.5	5.2	5.0
92	6.5	7.4	6.8	5.4	5.2	5.0
98	5.5	7.2	6.8	4.4	5.2	5.0
105	4.4	5.9	6.6	3.3	5.0	4.8
111	3.3	4.9	6.2	2.2	4.0	4.6
118	2.4	3.9	5.0	-	2.8	4.4
124	1.8	3.1	4.2	-	2.0	3.4
131	-	2.2	3.3	-	-	2.4
138	-	1.5	2.3	-	-	1.5
144	-	-	1.5	-	-	-

164.7 ft Main boom

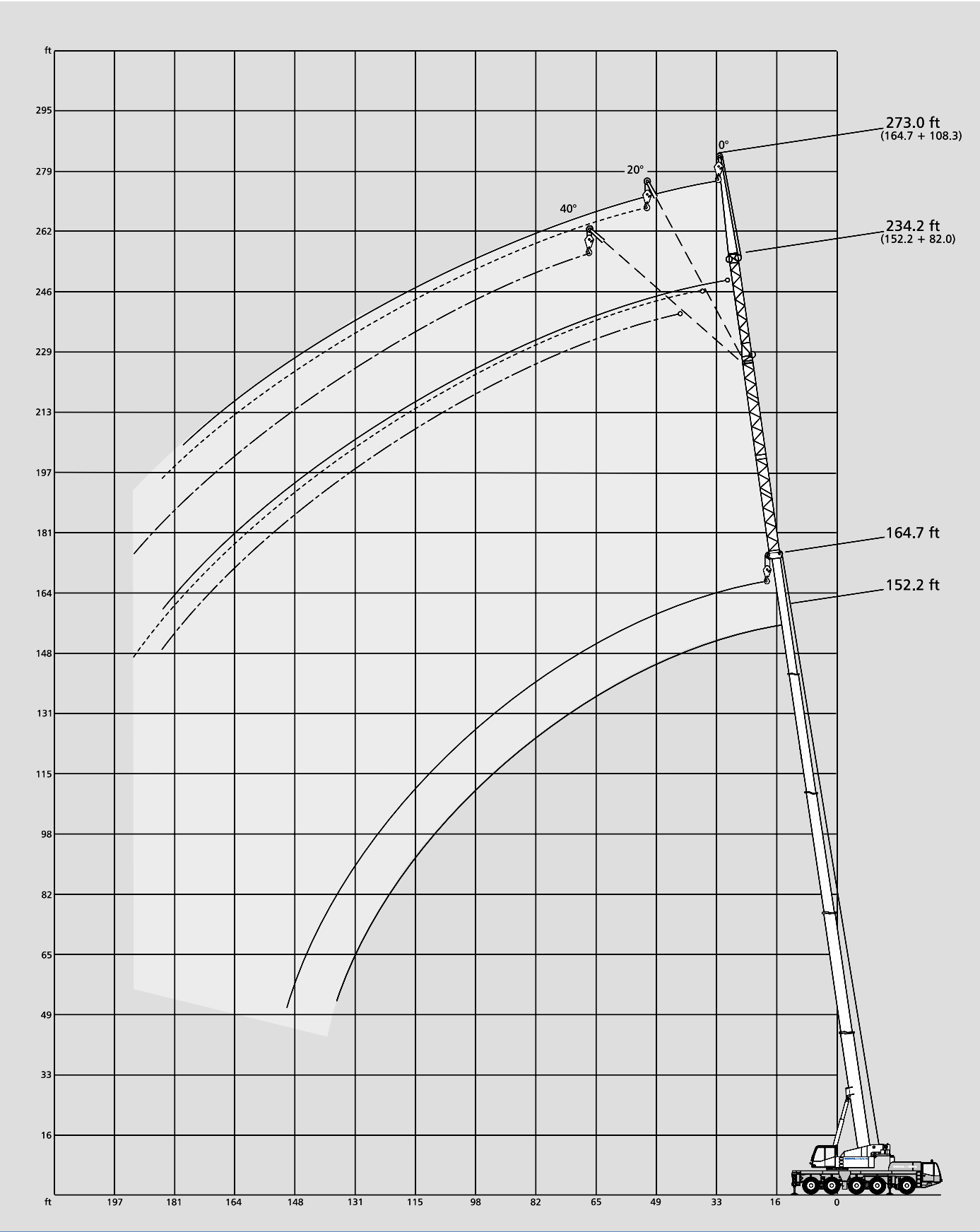
Radius ft	82.0 ft*			108.3 ft*		
	0°	20°	40°	0°	20°	40°
	1,000 lb					
39	-	-	-	-	-	-
46	7.7	-	-	-	-	-
52	7.7	-	-	3.9	-	-
59	7.7	-	-	3.9	-	-
65	7.7	-	-	3.9	-	-
72	7.7	7.2	-	3.9	3.7	-
79	7.7	7.2	-	3.9	3.7	-
85	7.5	7.2	6.8	3.9	3.7	-
92	6.1	7.0	6.6	3.9	3.7	3.5
98	4.9	6.8	6.4	3.5	3.7	3.5
105	3.7	5.5	6.1	2.4	3.7	3.5
111	2.7	4.5	5.7	1.6	3.3	3.5
118	1.7	3.3	4.6	-	2.2	3.5
124	-	2.5	3.8	-	1.6	2.7
131	-	1.7	2.8	-	-	1.7
138	-	-	1.9	-	-	-
144	-	-	-	-	-	-

Remarks

* Preliminary

3

Working ranges main boom extension



Notes to lifting capacity

Lifting capacities do not exceed 85% of tipping load.

Weight of hook blocks and slings are part of the load, and should be deducted from the capacity ratings.

Crane operation is permissible up to a

wind pressure of 1.25 lb/ft²

wind speed of 32 ft/s

Consult operation manual for further details.

Note: Data published herein is intended as a guide only and shall not be construed to warrant applicability for lifting purposes. Crane operation is subject to the computer charts and operation manual included with the crane.

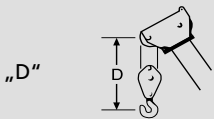
Key



Counterweight



Lifting capacities on outriggers 360°



„D“

Technical description

Carrier

Drive / Steering	10 x 6 x 8.
Frame	Monobox main frame with outrigger boxes integral, of high-strength fine grain structural steel.
Outriggers	Four hydraulically telescoping outrigger beams with hydraulic jack legs.
Engine	DaimlerChrysler OM 442 LA water-cooled 8-cylinder engine (EPA), output to DIN: 370 kW (503 hp) at 2100 1/min, max. torque 2020 Nm at 1100-1600 1/min. Fuel tank capacity: 132 gallons.
Transmission	ZF Transmatik system (16 ranges: 14 forward and 2 reverse), transfer case with longitudinal differential lockout control.
Axles	Axle 1: steering; axle 2: with planetary hubs, steering, transverse differential lockout control; axle 3: rigid axle, non-steer; axle 4: with planetary hubs, steering, longitudinal and transverse differential lockout control; axle 5: with planetary hubs, steering, transverse differential lockout control.
Suspension	Hydropneumatic suspension, all axles hydraulically blockable.
Wheels and tires	10 wheels fitted with 14.00 R 25 tires, single wheels on all axles.
Steering	ZF dual-circuit semiblock mechanical steering with hydraulic booster.
Brakes	Service brake: dual-line air system. Parking brake: spring-loaded type, on 2nd, 4th and 5th axles. Sustained action brake: constant decompression with butterfly valve, exhaust brake and hydraulic retarder.
Electrical equipment	24 V system.
Driver's cab	Rubber-mounted all steel driver's cab with safety glazing, slide-by side windows, controls and instrumentation, driver's and mate's seat, vertically adjustable steering wheel, heated outside mirrors, rotaflare warning light.

Superstructure

Engine	DaimlerChrysler OM 904 LA water-cooled 4-cylinder in-line engine, output 125 kW (171 hp) at 2300 1/min, max. torque 630 Nm at 1200 1/min, fuel tank capacity: 53 gallons.
Hydraulic system	1 variable displacement axial piston pump to provide 4 simultaneous, independent working movements and separate pump for slew unit.
Hoist	Fixed displacement axial piston hydraulic motor, hoist drum with integral planetary gear reducer and spring-applied multi-disk. Drum rotation indicator.
Slew unit	Hydraulic motor with planetary gear reducer, change-over from brake to free swing by control lever, spring-applied holding brake.
Boom elevation	1 differential cylinder with automatic lowering brake valve.
Crane cab	Spacious all-steel comfortable cab with sliding door and large hinged windscreen, tiltable 20°, roof window with armoured glass, full instrumentation and crane controls, working light. Hot water heater operated either self-contained or engine-dependent, with engine preheating and timer, thermostat-controlled. Windscreen washer and intermittent control type windscreen wiper.
Main boom	Boom base and 4 telescopic sections, fabricated from fine grain structural steel, telescoping ability with partial load, buckling-resistant Demag ovaloid design.
Counterweight	29,320 lb.
Safety devices	Electronic safe load indicator with digital readout for hook load, rated load, boom length, boom angle, load radius, analog display to indicate the capacity utilization, limit switches on hoist and lowering motions, pressure-relief and safety holding valves.
Hydraulic servo control	Hydro-electric pilot control through self-centering control levers.

Optional equipment

Drive / Steering	10 x 8 x 8.
Wheels and tires	16.00 R 25 on 11.25-25 rims; 17.5 R 25 on 14.00-25 rims; 20.5 R 25 on 17.00-25 rims.
Tow coupling	D-value 26,500 lb or 41,900 lb, air-brake connection.
Hoist II	Fixed displacement axial piston hydraulic motor, hoist drum with integral planetary gear reducer and spring-applied multi-disk brake. The use of hoist II avoids re-reeving the hoist line when using the optional jib.
Main boom extension	1 or 2-part foldaway jib, 30.2 ft or 55.8 ft. 0°, 20° and 40° offset. Extensible to 82.0 ft and 108.1 ft.
Additional counterweight	25,800 lb or 41,210 lb, integrates into standard counterweight, installed hydraulically by the crane itself.

Overview of standard duty charts

 25'1" x 24'7"


 25'1" x 17'9"


Main boom


Main boom	0 lb		4,400 lb	25,790 lb	29,320 lb	55,000 lb	70,530 lb
	360°	360°	360°	360°	360°	360°	360°
41.0 ft	x	x	x	x	x	x	x
55.1 ft	x	x	x	x	x	x	x
68.9 ft	x	x	x	x	x	x	x
82.7 ft	x	x	x	x	x	x	x
96.8 ft	x	x	x	x	x	x	x
110.6 ft	x	x	x	x	x	x	x
124.7 ft	x	x	x	x	x	x	x
138.5 ft	x	x	x	x	x	x	x
152.2 ft	x	x	x	x	x	x	x
164.7 ft	x	x	x	x	x	x	x

Main boom	0 lb		4,400 lb	25,790 lb	29,320 lb	55,000 lb	70,530 lb
	360°	360°	360°	360°	360°	360°	360°
41.0 ft	x	x	x	x	x	x	x
55.1 ft	x	x	x	x	x	x	x
68.9 ft	x	x	x	x	x	x	x
82.7 ft	x	x	x	x	x	x	x
96.8 ft	x	x	x	x	x	x	x
110.6 ft	—	x	x	x	x	x	x
124.7 ft	—	x	x	x	x	x	x
138.5 ft	—	x	x	x	x	x	x
152.2 ft	—	x	x	x	x	x	x
164.7 ft	—	x	x	x	x	x	x

Main boom extension

Main boom	Extension			
		0 / 4,400 / 25,790 / 29,320 / 55,000 / 70,530 lb		
		0°	20°	40°
124.7 ft	30.2 ft	x	x	x
	55.8 ft	x	x	x
138.5 ft	30.2 ft	x	x	x
	55.8 ft	x	x	x
152.2 ft	30.2 ft	x	x	x
	55.8 ft	x	x	x
164.7 ft	30.2 ft	x	x	x
	55.8 ft	x	x	x

Main boom	Extension			
		25,790 / 29,320 / 55,000 / 70,530 lb		
		0°	20°	40°
124.7 ft	30.2 ft	x	x	x
	55.8 ft	x	x	x
138.5 ft	30.2 ft	x	x	x
	55.8 ft	x	x	x
152.2 ft	30.2 ft	x	x	x
	55.8 ft	x	x	x
164.7 ft	30.2 ft	x	x	x
	55.8 ft	x	x	x

Main boom	Extension			
		25,790 / 29,320 / 55,000 / 70,530 lb		
		0°	20°	40°
124.7 ft	82.0 ft	x	x	x
	108.1 ft	x	x	x
138.5 ft	82.0 ft	x	x	x
	108.1 ft	x	x	x
152.2 ft	82.0 ft	x	x	x
	108.1 ft	x	x	x
164.7 ft	82.0 ft	x	x	x
	108.1 ft	x	x	x



Subject to change without notice. · Machine operation is subject to computer charts only.

09/01

Demag Cranes & Components Corporation

Mobile Cranes Division

9871 Highway 78 · Ladson, SC 29456

Telephone: 843-572-9311

Telefax: 843-824-0793

Order Nr. AC 100-L USA B1 – 201 051 12

demag24.com
visit our website